

MAIN APPLICATION

- ◇ Breathing mastic (Weatherite mastic)
- ◇ Outdoor installation
- ◇ Flexible and durable surface after drying
- ◇ Excellent resistance to acids, alkalis, rain and snow

SHC 101-00 is an asphalt emulsion type mastic for hot insulation.

COLOR

Black

APPLICATION TOOL

Trowel, Rubber glove

AVERAGE WEIGHT / LITER (ASTM D 1475)

1.17 ± 0.05 kg/Liter

AVERAGE NON-VOLATILE (ASTM D 2369)

50% ±2.4 by volume

52% ±2.4 by weight

COVERAGE RANGE (SHTM 13)

(Subject to type of surface and nature of material being coated)

6.88 kg/m²

Wet Film Thickness: 6.3 mm

Dry Film Thickness: 3.0 mm

DRYING TIME (25°C 50%RH) (ASTM D 1640)

Set To Touch: 12 hours

Dry Through: 36 hours

SERVICE TEMPERATURE LIMITS (SHTM 08)

(Temperature at coated surface)

-29°C ~ 94°C

WATER VAPOR PERMEANCE (ASTM E 96 - E TYPE)

1.00 perms @ 3.0mm DFT

WET FLAMMABILITY (ASTM D3278)

Flash Point : 93°C

VOCs (US EPA Method 24)

3.10 g/L

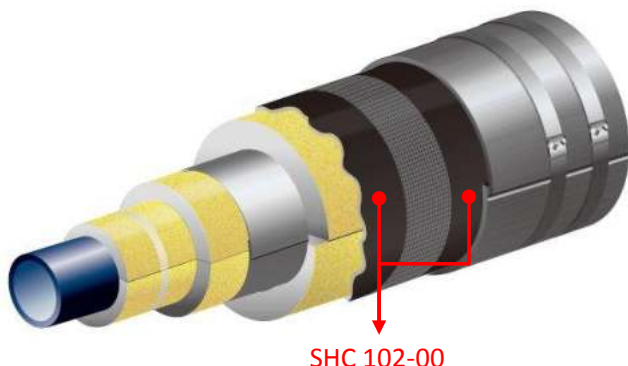
REMARKS

Store and apply between 4°C and 38°C.

No contain asbestos, lead, mercury or mercury compounds.

Protect from freezing until dry.

Not recommended for indoor use.



MAIN APPLICATION

- ◇ Asphalt based vapor barrier
- ◇ Flexible, durable, high solid
- ◇ For low temperature insulation
- ◇ Economical vapor barrier

SHC 102-00 is an asphalt based and non-breathing type mastic for cold insulation.

COLOR

Black

APPLICATION TOOL

Trowel

AVERAGE WEIGHT / LITER (ASTM D 1475)

1.35 ±0.05 kg/Liter

AVERAGE NON-VOLATILE (ASTM D 2369)

69% ±3.2 by volume

79% ±6.2 by weight

COVERAGE RANGE (SHTM 13)

(Subject to type of surface and nature of material being coated)

5.7 kg/m²

Wet Film Thickness: 4.2 mm

Dry Film Thickness: 3.0 mm

DRYING TIME (25°C 50%RH) (ASTM D 1640)

Set To Touch: 6~7 hours

Dry Through: 7~10 days

SERVICE TEMPERATURE LIMITS (SHTM 08)

(Temperature at coated surface)

-46°C ~ 104°C

WATER VAPOR PERMEANCE (ASTM E 96 - E TYPE)

0.08 perms @ 3.0mm DFT

WET FLAMMABILITY (ASTM D 3278)

Flash Point : 43°C

REMARKS

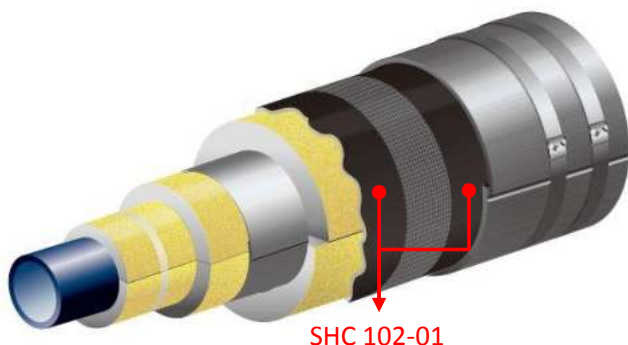
Store and apply between 4°C and 38°C.

No contain asbestos, lead, mercury or mercury compounds.

Do not use for food storage applications where odor might affect flavors and tastes.

Do not apply on polystyrene foam.

Always test plastic materials for compatibility when using solvent base product.



MAIN APPLICATION

- ◇ Vapor barrier mastic
- ◇ Fire retardant mastic
- ◇ For low temperature insulation

SHC 102-01 is a fire-retarded asphalt based mastic for cold insulation.

COLOR

Black

APPLICATION TOOL

Trowel

AVERAGE WEIGHT / LITER (ASTM D 1475)

1.15 ±0.05 kg/Liter

AVERAGE NON-VOLATILE (ASTM D 2369)

69% ±3.2 by volume

80% ±3.8 by weight

COVERAGE RANGE (SHTM 13)

(Subject to type of surface and nature of material being coated)

4.9 kg/m²

Wet Film Thickness: 4.3 mm

Dry Film Thickness: 3.0 mm

DRYING TIME (25°C 50%RH) (ASTM D 1640)

Set To Touch: 6~8 hours

Dry Through: 6 days

SERVICE TEMPERATURE LIMITS (SHTM 08)

(Temperature at coated surface)

-40°C ~ 93°C

WATER VAPOR PERMEANCE (ASTM E 96 - E TYPE)

0.02 perms @ 3.0mm DFT

WET FLAMMABILITY (ASTM D 3278)

Flash Point : 60°C

SURFACE BURNING CHARACTERISTICS (ASTM E 84)

Class 1 or A

Flame Spread: 25

Smoke Developed: 250

REMARKS

Store and apply between 4°C and 38°C.

No contain asbestos, lead, mercury or mercury compounds..

Do not apply on polystyrene foam.

Always test plastic materials for compatibility when using solvent base product.

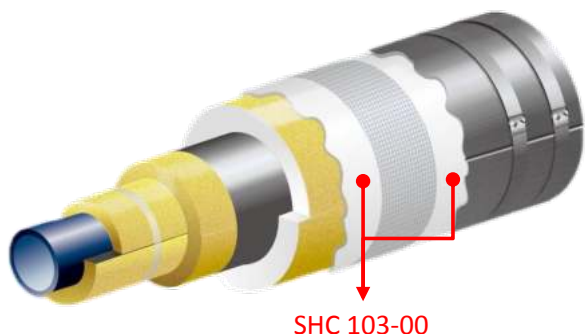
SHTM : SAM HWA TEST METHOD

Sam Hwa Chemicals Co., Ltd.

71-17, Cheonjeong 2-gil, Mokcheon-eup, Dongnam-gu, Cheonan-si, Chungnam, Korea T: +82-2-517-6847 E: sales@shckorea.com / www.shckorea.com

The warranted shelf life is one year from date of shipment.

170102



MAIN APPLICATION

- ◇ Polyvinyl emulsion mastic
- ◇ Excellent resistance to acid and alkaline
- ◇ Water proof with excellent durability

SHC 103-00 is a polyvinyl emulsion type mastic for most thermal insulations.

COLOR

Light Gray

APPLICATION TOOL

Trowel

AVERAGE WEIGHT / LITER (ASTM D 1475)

1.38 ±0.05 kg/Liter

AVERAGE NON-VOLATILE (ASTM D 2369)

39% ±1.8 by volume

56% ±2.6 by weight

COVERAGE RANGE (SHTM 13)

(Subject to type of surface and nature of material being coated)

11.6 kg/m²

Wet Film Thickness: 8.4 mm

Dry Film Thickness: 3.2 mm

DRYING TIME (25°C 50%RH) (ASTM D 1640)

Set To Touch: 4~5 hours

Dry Through: 24~36 hours

SERVICE TEMPERATURE LIMITS (SHTM 08)

(Temperature at coated surface)

-29°C ~ 91°C

WATER VAPOR PERMEANCE (ASTM E 96 - E TYPE)

0.3 perms @ 3.0mm DFT

WET FLAMMABILITY

No Flash Point in wet state

VOCs (US EPA Method 24)

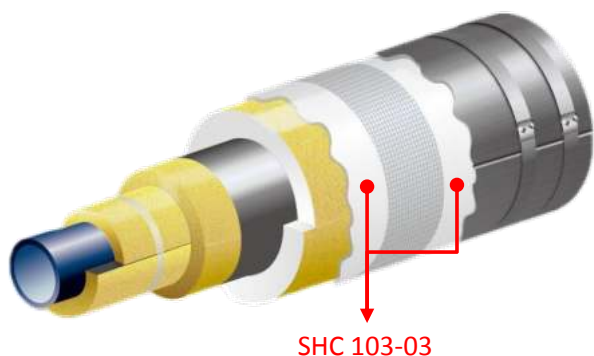
1.28 g/L

REMARKS

Store and apply between 4°C and 38°C.

No contain asbestos, lead, mercury or mercury compounds.

Protect from freezing until dry.



MAIN APPLICATION

- ◇ Elastomeric polymer based vapor barrier
- ◇ Water resistance
- ◇ Strong resistance to heat and chemical shock
- ◇ Flexible
- ◇ Ideal finishing compound for petrochemical and refinery.

SHC 103-03 is an elastomeric polymer, rubber, ceramic based vapor barrier and waterproof finishing coat for most cold insulations.

COLOR

White

APPLICATION TOOL

Trowel, Rubber Glove, Airless Spray

AVERAGE WEIGHT / LITER (ASTM D 1475)

1.36 ±0.05 kg/Liter

AVERAGE NON-VOLATILE (ASTM D 2369)

58% ±2.7 by volume

69% ±3.2 by weight

COVERAGE RANGE (SHTM 13)

(Subject to type of surface)

5.2 kg/m²

Wet Film Thickness: 3.8 mm

Dry Film Thickness: 2.3 mm

DRYING TIME (25°C 50%RH) (ASTM D 1640)

Set To Touch: 3~4 hours

Dry Through: 24~30 hours

SERVICE TEMPERATURE LIMITS (SHTM 08)

(Temperature at coated surface)

-29°C ~ 120°C

WATER VAPOR PERMEANCE (ASTM E 96 - E TYPE)

0.3 perms @ 2.3mm DFT

WET FLAMMABILITY

No Flash Point in wet state

VOCs (US EPA Method 24)

8.55 g/L

REMARKS

Store and apply between 4°C and 38°C.

No contain asbestos, lead, mercury or mercury compounds.

Protect from freezing until dry.

Do not use this compound where water exists.

Do not apply if rain is expected within 24 hours.

Always test foil and paper facing for acceptable adhesion before using.

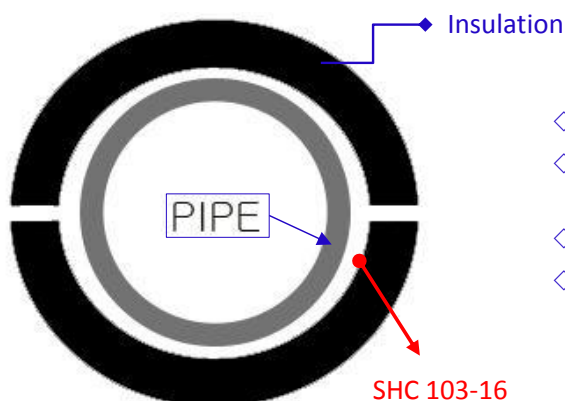
SHTM : SAM HWA TEST METHOD

Sam Hwa Chemicals Co., Ltd.

71-17, Cheonjeong 2-gil, Mokcheon-eup, Dongnam-gu, Cheonan-si, Chungnam, Korea T: +82-2-517-6847 E: sales@shckorea.com / www.shckorea.com

The warranted shelf life is nine month from date of shipment.

170102



MAIN APPLICATION

- ◇ Strong adhesion strength
- ◇ Suitable for cryogenic, high, low and dual temperature
- ◇ Fire resistive
- ◇ High solid coating to reduce abrasion of insulation coming from vibration of facilities and temperature change

SHC 103-16 is a anti abrasion coating for inner surface of Cellular glass.

COLOR

White

APPLICATION TOOL

Brush

AVERAGE WEIGHT / LITER (ASTM D 1475)

1.58 ±0.05 kg/Liter

AVERAGE NON-VOLATILE (ASTM D 2369)

51% ±2.4 by volume
69% ±3.2 by weight

COVERAGE RANGE (SHTM 13)

(Subject to type of surface)

0.7 kg/m²

Wet Film Thickness: 0.42 mm

Dry Film Thickness: 0.21 mm

DRYING TIME (25°C 50%RH) (ASTM D 1640)

Set To Touch: 45~90 minutes

Dry Through: 2~3 hours

SERVICE TEMPERATURE LIMITS (SHTM 08)

(Temperature at coated surface)

-196°C ~ 120°C

WET FLAMMABILITY

No Flash Point in wet state => Flash point over 100°C

SURFACE BURNING CHARACTERISTICS (ASTM E 84)

Class 1 or A

Flame Spread: 10

Smoke Developed: 10

VOCs (US EPA Method 24)

2.33 g/L

REMARKS

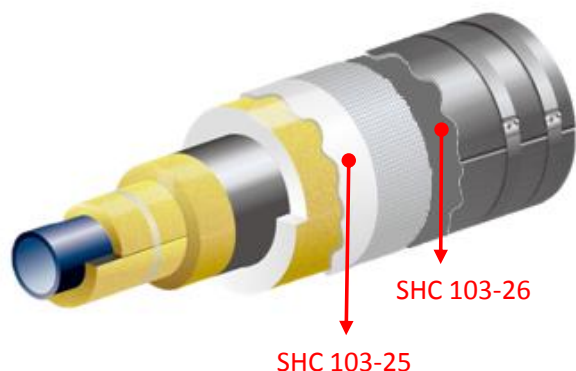
Store and apply between 4°C and 38°C.

No contain asbestos, lead, mercury or mercury compounds.

Protect from freezing until dry.

SHC 103-25/26

WB WEATHER BARRIER ACRYL MASTIC



SHC 103-25/26 is an acryl based weather barrier mastic.

MAIN APPLICATION

- ◇ Weather barrier mastic for most thermal insulation including polystyrene foam
- ◇ Excellent flexibility after dry
- ◇ Durable, fire-resistive and smooth finishing materials
- ◇ Both indoor and outdoor application

COLOR

103-25 : White
103-26 : Light Aluminum Grey

APPLICATION TOOL

Trowel, Glove

AVERAGE WEIGHT / LITER (ASTM D 1475)

1.34 ±0.05 kg/Liter

AVERAGE NON-VOLATILE (ASTM D 2369)

56% ±2.6 by volume
66% ±3.1 by weight

COVERAGE RANGE (SHTM 13)

(Subject to type of surface and nature of material being coated)

3.1 kg/m²

Wet Film Thickness: 2.3 mm

Dry Film Thickness: 1.3 mm

DRYING TIME (25°C 50%RH) (ASTM D 1640)

Set To Touch: 2 hours

Dry Through: 16 hours

SERVICE TEMPERATURE LIMITS (SHTM 08)

(Temperature at coated surface)

-29°C ~ 82°C

WATER VAPOR PERMEANCE (ASTM E 96 - E TYPE)

1.0 perms @1.6mm DFT

WET FLAMMABILITY

No Flash Point in wet state

SURFACE BURNING CHARACTERISTICS (ASTM E 84)

Class 1 or A

Flame Spread: 5

Smoke Developed: 0

VOCs (US EPA Method 24)

3.71 g/L

REMARKS

Store and apply between 4°C and 38°C.

No contain asbestos, lead, mercury or mercury compounds.

Protect from freezing until dry.

Do not apply if rain is expected in 16 hours.

Always test foil and paper facings for acceptable adhesion before using.

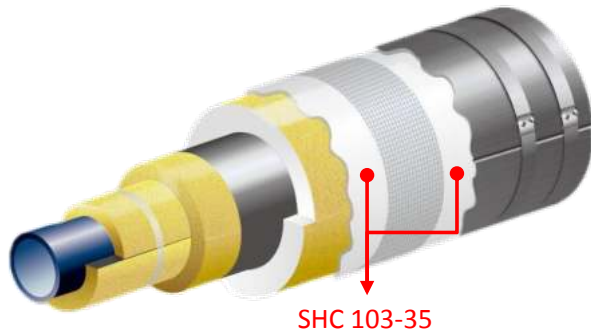
SHTM : SAM HWA TEST METHOD

Sam Hwa Chemicals Co., Ltd.

71-17, Cheonjeong 2-gil, Mokcheon-eup, Dongnam-gu, Cheonan-si, Chungnam, Korea T: +82-2-517-6847 E: sales@shckorea.com / www.shckorea.com

The warranted shelf life is one year from date of shipment.

170102



MAIN APPLICATION

- ◇ Excellent weather barrier
- ◇ Outdoors and indoors application
- ◇ For most thermal insulations including polystyrene foam

SHC 103-35 is a high solid water-based weather barrier mastic for all kinds of insulations.

COLOR

White

APPLICATION TOOL

Trowel, Glove

AVERAGE WEIGHT / LITER (ASTM D 1475)

1.34 ±0.05 kg/Liter

AVERAGE NON-VOLATILE (ASTM D 2369)

64% ±3.0 by volume

74% ±3.5 by weight

COVERAGE RANGE (SHTM 13)

(Subject to type of surface and nature of material being coated)

3.4 kg/m²

Wet Film Thickness: 2.5 mm

Dry Film Thickness: 1.6 mm

DRYING TIME (25°C 50%RH) (ASTM D 1640)

Set to touch: 3 hours

Dry through: 16 hours

SERVICE TEMPERATURE LIMITS (SHTM 08)

(Temperature at coated surface)

-29°C ~ 93°C

WATER VAPOR PERMEANCE (ASTM E 96 - E TYPE)

3.0 perms @ 1.6mm DFT

WET FLAMMABILITY

No Flash Point in wet state

SURFACE BURNING CHARACTERISTICS (ASTM E 84)

Class 1 or A

Flame Spread: 20

Smoke Developed: 25 ~ 50

VOCs (US EPA Method 24)

1.10 g/L

REMARKS

Store and apply between 4°C and 38°C.

No contain asbestos, lead, mercury or mercury compounds.

Protect from freezing until dry.

Do not apply if rain is expected in 16 hours.

Always test foil and paper facings for acceptable adhesion before using.

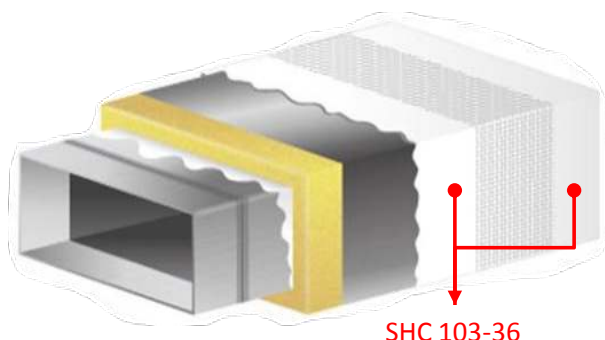
SHTM : SAM HWA TEST METHOD

Sam Hwa Chemicals Co., Ltd.

71-17, Cheonjeong 2-gil, Mokcheon-eup, Dongnam-gu, Cheonan-si, Chungnam, Korea T: +82-2-517-6847 E: sales@shckorea.com / www.shckorea.com

The warranted shelf life is one year from date of shipment.

170102



MAIN APPLICATION

- ◇ Protective finish for insulation on duct and chilled water pipe
- ◇ Lagging adhesive for duct system
- ◇ Compatibility with polystyrene, mineral wool and polyurethane foam

SHC 103-36 is a white, fire resistive, tough indoor coating for thermal insulation.

COLOR

White

APPLICATION TOOL

Brush, Spray

AVERAGE WEIGHT / LITER (ASTM D 1475)

1.25 ±0.05 kg/Liter

AVERAGE NON-VOLATILE (ASTM D 2369)

40% ±1.9 by volume

51% ±2.4 by weight

COVERAGE RANGE (SHTM 13)

(Subject to type of surface and nature of material being coated)

1.3 kg/m²

Wet Film Thickness: 1.0 mm

Dry Film Thickness: 0.4 mm

DRYING TIME (25°C 50%RH) (ASTM D 1640)

Set To Touch: 2 hours

Dry Through: 15 hours

SERVICE TEMPERATURE LIMITS (SHTM 08)

(Temperature at coated surface)

-18°C ~ 82°C

WATER VAPOR PERMEANCE (ASTM E 96 - E TYPE)

1.3 perms @ 0.8mm DFT

WET FLAMMABILITY

No Flash Point in wet state

SURFACE BURNING CHARACTERISTICS (ASTM E 84)

Class 1 or A

Flame Spread: 10

Smoke Developed: 5

VOCs (US EPA Method 24)

6.67 g/L

REMARKS

Store and apply between 4°C and 38°C.

No contain asbestos, lead, mercury or mercury compounds.

Protect from freezing until dry.

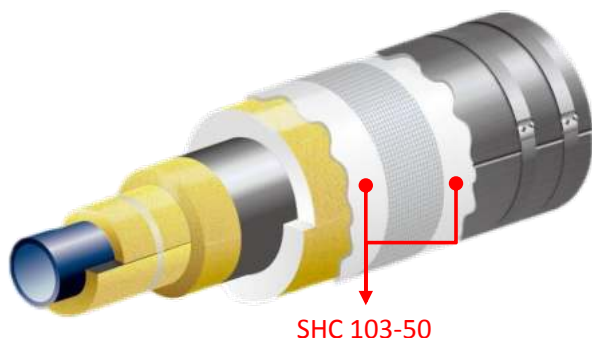
SHTM : SAM HWA TEST METHOD

Sam Hwa Chemicals Co., Ltd.

71-17, Cheonjeong 2-gil, Mokcheon-eup, Dongnam-gu, Cheonan-si, Chungnam, Korea T: +82-2-517-6847 E: sales@shckorea.com / www.shckorea.com

The warranted shelf life is one year from date of shipment.

170102



MAIN APPLICATION

- ◇ Weather barrier mastic for most thermal insulation including polystyrene foam
- ◇ Excellent flexibility after dry
- ◇ Durable, fire-resistant and smooth finishing materials
- ◇ Both indoor and outdoor application

SHC 103-50 is a fiberated water based breather mastic.

COLOR

Bright White

APPLICATION CONSISTENCY

Trowel, Glove, Brush or Airless Spray

AVERAGE WEIGHT / LITER (ASTM D-1475)

1.34 ±0.05 kg/Liter

AVERAGE NON-VOLATILE (ASTM D-2697)

52% ±2.4 by volume

62% ±3.1 by weight

COVERAGE RANGE (SHTM 13)

(Subject to type of surface and nature of material being coated)

Wet Film Thickness: 1.6 ~ 2.4 mm

Dry Film Thickness: 1.0 ~ 1.5 mm

DRYING TIME (23°C 50% RH) (ASTM D 1640)

Set to Touch: 2 hours

Dry Through: 24 hours

WATER VAPOR PERMEANCE (ASTM E 96 - E TYPE)

1.8 perms @ 1.6mm DFT

SERVICE TEMPERATURE LIMITS (SHTM 08)

(Temperature at coated surface)

-29°C to 82°C

WET FLAMMABILITY (ASTM D-3278)

No flash to boiling, over 96°C

VOCs (US EPA Method 24)

4.30 g/L

SURFACE BURNING CHARACTERISTICS (ASTM E-84)

Class 1 or A

Flame Spread: 5

Smoke Developed: 0

REMARKS

Store and apply between 4°C and 38°C.

No contain asbestos, lead, mercury or mercury compounds.

Protect from freezing until dry.

Do not apply if rain is expected in 24 hours.

Always test foil and paper facings for acceptable adhesion before using.

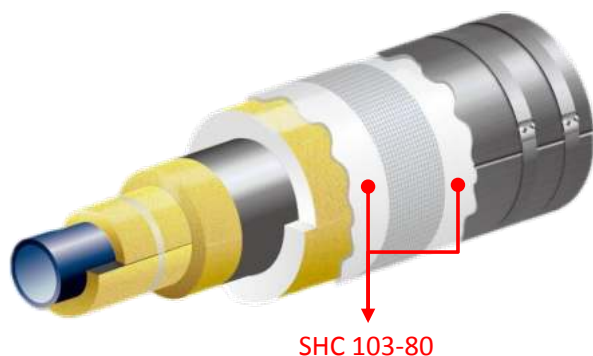
SHTM : SAM HWA TEST METHOD

Sam Hwa Chemicals Co., Ltd.

71-17, Cheonjeong 2-gil, Mokcheon-eup, Dongnam-gu, Cheonan-si, Chungnam, Korea T: +82-2-517-6847 E: sales@shckorea.com / www.shckorea.com

The warranted shelf life is one year from date of shipment.

170102



MAIN APPLICATION

- ◇ Water based vapor barrier for cold insulation system
- ◇ Fire resistive and flexible vapor barrier
- ◇ High solid finish
- ◇ Compatibility with polystyrene foam
- ◇ Very low vapor permeance
- ◇ Indoor and outdoor use
- ◇ Good for high humidity environment

SHC 103-80 is a water based vapor barrier finish for most types of thermal insulation.

COLOR

White

APPLICATION TOOL

Brush, Spray

AVERAGE WEIGHT / LITER (ASTM D 1475)

1.38 ±0.05 kg/Liter

AVERAGE NON-VOLATILE (ASTM D 2369)

58% ±2.7 by volume

70% ±3.3 by weight

COVERAGE RANGE (SHTM 13)

(Subject to type of surface and nature of material being coated)

2.2 kg/m²

Wet Film Thickness: 1.6 mm

Dry Film Thickness: 0.93 mm

DRYING TIME (25°C 50%RH) (ASTM D 1640)

Set To Touch: 4 hours

Dry Through: 24 hours

SERVICE TEMPERATURE LIMITS (SHTM 08)

(Temperature at coated surface)

-29°C ~ 82°C

WATER VAPOR PERMEANCE (ASTM E 96 - E TYPE)

0.013 perms @ 1.09mm DFT

WET FLAMMABILITY

No Flash Point in wet state

SURFACE BURNING CHARACTERISTICS (ASTM E 84)

Class 1 or A

Flame Spread: 5

Smoke Developed: 25

VOCs (US EPA Method 24)

7.35 g/L

REMARKS

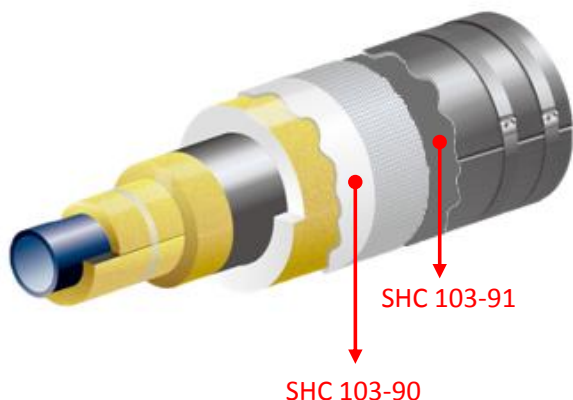
Store and apply between 4°C and 38°C.

No contain asbestos, lead, mercury or mercury compounds.

Protect from freezing until dry.

SHC 103-90/91

WB VAPOR BARRIER MASTIC



MAIN APPLICATION

- ◇ Water based vapor barrier for cold insulation system
- ◇ Used over concrete, finishing cement and any kind of metals
- ◇ Non-flammable in wet
- ◇ Compatible with polystyrene foam
- ◇ Suitable for indoor and outdoor use

SHC 103-90 is a fire resistive, flexible vapor barrier for most types of thermal insulation.

COLOR

103-90 : White
103-91 : Gray

APPLICATION TOOL

Trowel, Glove

AVERAGE WEIGHT / LITER (ASTM D 1475)

1.38 ±0.05 kg/Liter

AVERAGE NON-VOLATILE (ASTM D 2369)

59% ±2.8 by volume
71% ±3.3 by weight

COVERAGE RANGE (SHTM 13)

(Subject to type of surface and nature of material being coated)
3.3 kg/m²
Wet Film Thickness: 2.4 mm
Dry Film Thickness: 1.4 mm

DRYING TIME (25°C 50%RH) (ASTM D 1640)

Set To Touch: 4 hours
Dry Through: 24 hours

SERVICE TEMPERATURE LIMITS (SHTM 08)

(Temperature at coated surface)
-29°C ~ 82°C

WATER VAPOR PERMEANCE (ASTM E 96 - E TYPE)

0.013 perms @ 1.09mm DFT

WET FLAMMABILITY

No Flash Point in wet state

SURFACE BURNING CHARACTERISTICS (ASTM E 84)

Class 1 or A
Flame Spread: 5.3
Smoke Developed: 25.1

VOCs (US EPA Method 24)

4.49 g/L

REMARKS

Store and apply between 4°C and 38°C.
No contain asbestos, lead, mercury or mercury compounds.
Protect from freezing until dry.

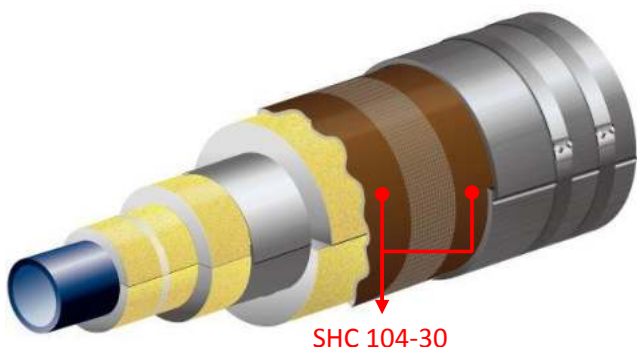
SHTM : SAM HWA TEST METHOD

Sam Hwa Chemicals Co., Ltd.

71-17, Cheonjeong 2-gil, Mokcheon-eup, Dongnam-gu, Cheonan-si, Chungnam, Korea T: +82-2-517-6847 E: sales@shckorea.com / www.shckorea.com

The warranted shelf life is nine month from date of shipment.

170102



MAIN APPLICATION

- ◇ Fire and chemical resistive vapor barrier
- ◇ Durability and flexibility at low temperature

SHC 104-30 is a non-asphaltic, high solid mastic for excellent protection of metals and thermal insulations for outdoor use.

COLOR

Dark Brown

AVERAGE WEIGHT / LITER (ASTM D 1475)

1.13 ±0.05 kg/Liter

AVERAGE NON-VOLATILE (ASTM D 2369)

42% ±2.0 by volume

55% ±2.6 by weight

COVERAGE RANGE (SHTM 13)

(Subject to type of surface and nature of material being coated)

5.1 kg/m²

Wet Film Thickness: 4.5 mm

Dry Film Thickness: 2.1 mm

DRYING TIME (25°C 50%RH) (ASTM D 1640)

Set To Touch: 8 hours

Dry Through: 36 hours

SERVICE TEMPERATURE LIMITS (SHTM 08)

(Temperature at coated surface)

-40°C ~ 93°C

WATER VAPOR PERMEANCE (ASTM E 96 - E TYPE)

0.07 perms @ 1.3mm DFT

WET FLAMMABILITY (ASTM D 3278)

Flash Point : 46°C

SURFACE BURNING CHARACTERISTICS (ASTM E 84)

Class 1 or A

REMARKS

Store and apply between 4°C and 38°C.

No contain asbestos, lead, mercury or mercury compounds.

Always test plastic materials for compatibility when using a solvent base product.

SHTM : SAM HWA TEST METHOD

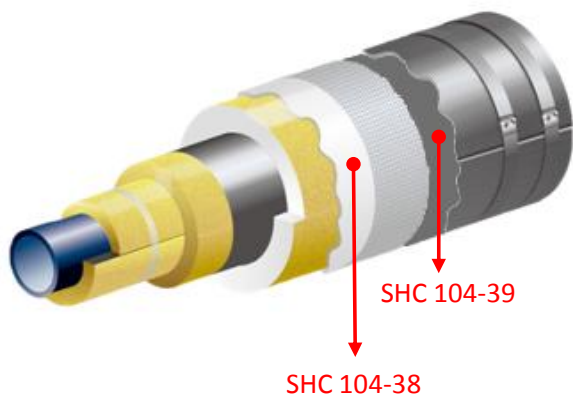
Sam Hwa Chemicals Co., Ltd.

71-17, Cheonjeong 2-gil, Mokcheon-eup, Dongnam-gu, Cheonan-si, Chungnam, Korea T: +82-2-517-6847 E: sales@shckorea.com / www.shckorea.com

The warranted shelf life is one year from date of shipment.

170102

MAIN APPLICATION



- ◇ Ideal finish for cold insulation including cellular glass, PIR
- ◇ Tough, flexible, fire resistant elastomeric finish
- ◇ Excellent vapor barrier
- ◇ Outdoor use with good color retention, chemical and UV resistance

SHC 104-38/39 is a chlorosulfonated polyethylene(CSPE) rubber based mastic.

COLOR

104-38 : White
104-39 : Gray

APPLICATION TOOL

Trowel, Rubber glove

AVERAGE WEIGHT / LITER (ASTM D 1475)

1.08 ±0.05 kg/Liter

AVERAGE NON-VOLATILE (ASTM D 2369)

30% ±1.4 by volume
50% ±2.0 by weight

COVERAGE RANGE (SHTM 13)

(Subject to type of surface and nature of material being coated)
2.9 kg/m²

Wet Film Thickness: 2.67 mm

Dry Film Thickness: 0.80 mm

DRYING TIME (25°C 50%RH) (ASTM D 1640)

Set To Touch: 3 hours

Dry Through: 48 hours

SERVICE TEMPERATURE LIMITS (SHTM 08)

(Temperature at coated surface)

-40°C ~ 121°C

WATER VAPOR PERMEANCE (ASTM E 96 - E TYPE)

0.02 perms @ 1.2mm DFT

WET FLAMMABILITY (ASTM D 3278)

Flash Point : 43°C

SURFACE BURNING CHARACTERISTICS (ASTM E 84)

Class 1 or A

Flame Spread: 20

Smoke Developed: 30

REMARKS

Store and apply between 4°C and 38°C.

No contain asbestos, lead, mercury or mercury compounds.

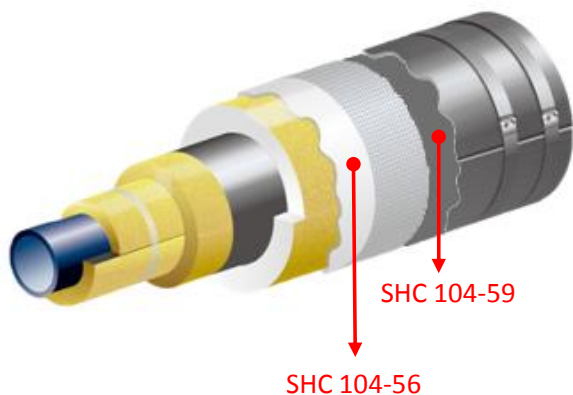
Always test plastic materials for compatibility when using a solvent base product.

* Chlorosulfonated polyethylene rubber is also known as Hypalon, a trademark of Dupont Performance Elastomers, which is no longer produced by Dupont.

SHC 104-56/59

PRIMARY II COATING

MAIN APPLICATION



- ◇ Ideal finish for cold insulation including cellular glass, PIR
- ◇ Tough, flexible, fire resistant elastomeric finish
- ◇ Excellent vapor barrier
- ◇ Outdoor use with good color retention, chemical and UV resistance

SHC 104-56/59 is a chlorosulfonated polyethylene(CSPE) rubber based coating.

COLOR

104-56 : White
104-59 : Gray

APPLICATION TOOL

Airless spray, Brush

AVERAGE WEIGHT / LITER (ASTM D 1475)

1.09 ±0.05 kg/Liter

AVERAGE NON-VOLATILE (ASTM D 2369)

30% ±1.4 by volume
43% ±2.0 by weight

COVERAGE RANGE (SHTM 13)

(Subject to type of surface and nature of material being coated)
2.9 kg/m²

Wet Film Thickness: 2.67 mm

Dry Film Thickness: 0.80 mm

DRYING TIME (25°C 50%RH) (ASTM D 1640)

Set To Touch: 3 hours

Dry Through: 48 hours

SERVICE TEMPERATURE LIMITS (SHTM 08)

(Temperature at coated surface)

-40°C ~ 121°C

WATER VAPOR PERMEANCE (ASTM E 96 - E TYPE)

0.02 perms @ 1.2mm DFT

WET FLAMMABILITY (ASTM D 3278)

Flash Point : 43°C

SURFACE BURNING CHARACTERISTICS (ASTM E 84)

Class 1 or A

Flame Spread: 20

Smoke Developed: 30

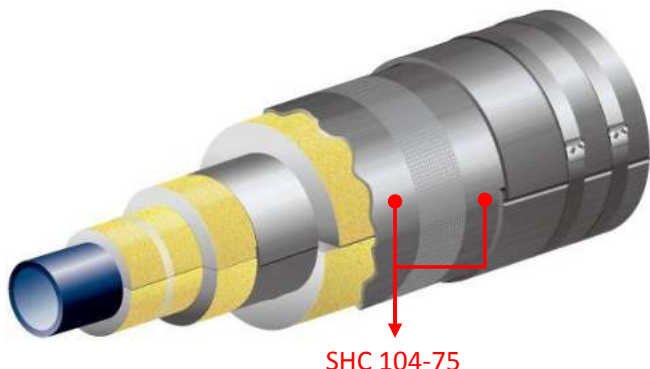
REMARKS

Store and apply between 4°C and 38°C.

No contain asbestos, lead, mercury or mercury compounds.

Always test plastic materials for compatibility when using a solvent base product.

* Chlorosulfonated polyethylene rubber is also known as Hypalon, a trademark of Dupont Performance Elastomers, which is no longer produced by Dupont.



MAIN APPLICATION

- ◇ Fire-resistant vapor barrier
- ◇ Outstanding weather-resistant
- ◇ Excellent resistance to acids, alkalis and aliphatic solvents

SHC 104-75 is a weather proof vapor barrier designed to protect insulation systems applied to equipment operating below ambient temperatures.

COLOR

Aluminum

APPLICATION TOOL

Trowel, Glove

AVERAGE WEIGHT / LITER (ASTM D 1475)

1.23 ±0.05 kg/Liter

AVERAGE NON-VOLATILE (ASTM D 2369)

39% ±1.8 by volume
57% ±2.7 by weight

COVERAGE RANGE (SHTM 13)

(Subject to type of surface and nature of material being coated)
4.2 kg/m²
Wet Film Thickness: 3.42 mm
Dry Film Thickness: 1.23 mm

DRYING TIME (25°C 50%RH) (ASTM D 1640)

Set To Touch: 4 hours
Dry Through: 72 hours

SERVICE TEMPERATURE LIMITS (SHTM 08)

(Temperature at coated surface)
-40°C ~ 80°C

WATER VAPOR PERMEANCE (ASTM E 96 - E TYPE)

0.02 perms @ 1.23mm DFT

WET FLAMMABILITY (ASTM D 3278)

Flash Point : 42°C

SURFACE BURNING CHARACTERISTICS (ASTM E 84)

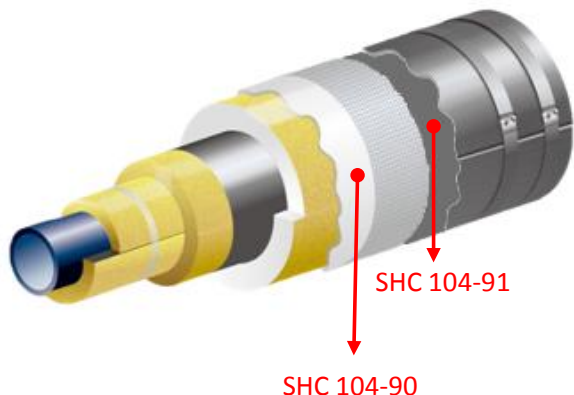
Class 1 or A
Flame Spread: 20
Smoke Developed: 40

REMARKS

Store and apply between 4°C and 38°C.
No contain asbestos, lead, mercury or mercury compounds.
Always test plastic materials for compatibility when using a solvent base product.

SHC 104-90/91

PRIMARY MASTIC



MAIN APPLICATION

- ◇ Ideal finish for cold insulation including cellular glass, PIR
- ◇ Tough, flexible, fire resistant elastomeric finish
- ◇ Excellent vapor barrier
- ◇ Outdoor use with good color retention, chemical and UV resistance

SHC 104-90/91 is a chlorosulfonated polyethylene(CSPE) rubber based mastic.

COLOR

104-90 : White
104-91 : Gray

APPLICATION TOOL

Trowel, Rubber glove

AVERAGE WEIGHT / LITER (ASTM D 1475)

1.23 ±0.05 kg/Liter

AVERAGE NON-VOLATILE (ASTM D 2369)

42% ±2.0 by volume
60% ±2.8 by weight

COVERAGE RANGE (SHTM 13)

(Subject to type of surface and nature of material being coated)

3.6 kg/m²

Wet Film Thickness: 2.86 mm

Dry Film Thickness: 1.20 mm

DRYING TIME (25°C 50%RH) (ASTM D 1640)

Set To Touch: 4 hours

Dry Through: 36 hours

SERVICE TEMPERATURE LIMITS (SHTM 08)

(Temperature at coated surface)

-46°C ~ 104°C

WATER VAPOR PERMEANCE (ASTM E 96 - E TYPE)

0.024 perms @ 1.3mm DFT

WET FLAMMABILITY (ASTM D 3278)

Flash Point : 43°C

SURFACE BURNING CHARACTERISTICS (ASTM E 84)

Class 1 or A

Flame Spread: 10

Smoke Developed: 15

REMARKS

Store and apply between 4°C and 38°C.

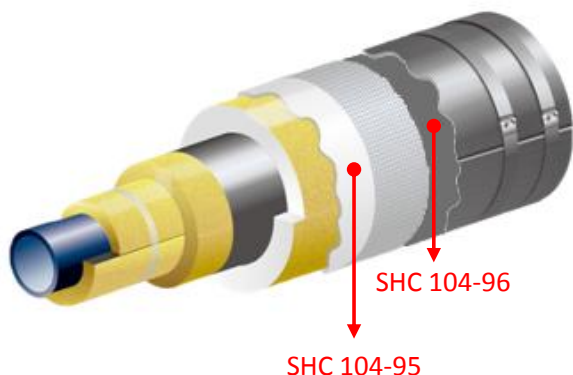
No contain asbestos, lead, mercury or mercury compounds.

Always test plastic material for compatibility when using a solvent base product.

* Chlorosulfonated polyethylene rubber is also known as Hypalon, a trademark of Dupont Performance Elastomers, which is no longer produced by Dupont.

SHC 104-95/96

PRIMARY COATING



MAIN APPLICATION

- ◇ Ideal finish for cold insulation including cellular glass, PIR
- ◇ Tough, flexible, fire resistant elastomeric finish
- ◇ Excellent vapor barrier
- ◇ Outdoor use with good color retention, chemical and UV resistance

SHC 104-95/96 is a chlorosulfonated polyethylene(CSPE) rubber based coating.

COLOR

104-95 : White
104-96 : Gray

APPLICATION TOOL

Airless spray, Brush

AVERAGE WEIGHT / LITER (ASTM D 1475)

1.18 ±0.05 kg/Liter

AVERAGE NON-VOLATILE (ASTM D 2369)

33% ±1.6 by volume
46% ±2.2 by weight

COVERAGE RANGE (SHTM 13)

(Subject to type of surface and nature of material being coated)

2.8 kg/m²

Wet Film Thickness: 2.42 mm

Dry Film Thickness: 0.80 mm

DRYING TIME (25°C 50%RH) (ASTM D 1640)

Set To Touch: 3 hours

Dry Through: 48 hours

SERVICE TEMPERATURE LIMITS (SHTM 08)

(Temperature at coated surface)

-46°C ~ 104°C

WATER VAPOR PERMEANCE (ASTM E 96 - E TYPE)

0.025 perms @ 1.3mm DFT

WET FLAMMABILITY (ASTM D 3278)

Flash Point : 43°C

SURFACE BURNING CHARACTERISTICS (ASTM E 84)

Class 1 or A

Flame Spread: 10

Smoke Developed: 15

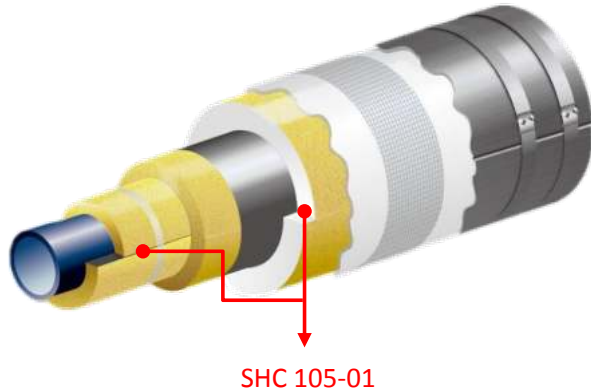
REMARKS

Store and apply between 4°C and 38°C.

No contain asbestos, lead, mercury or mercury compounds.

Always test plastic material for compatibility when using a solvent base product.

* Chlorosulfonated polyethylene rubber is also known as Hypalon, a trademark of Dupont Performance Elastomers, which is no longer produced by Dupont.



MAIN APPLICATION

- ◇ Elastomer based vapor barrier sealant in the joints of insulation to prevent the vapor migration into the cold insulation system
- ◇ Single component

SHC 105-01 is a one component butyl based joint sealant for cold and cryogenic insulation.

COLOR

Off-White

APPLICATION TOOL

Trowel, Putty Knife

AVERAGE WEIGHT / LITER (ASTM D1475)

1.50 ±0.05 kg/Liter

AVERAGE NON-VOLATILE (ASTM D2369)

84% ±3.9 by volume

90% ±4.2 by weight

COVERAGE RANGE (SHTM 13)

(Subject to type of surface and nature of material being sealed)

5.0 kg/m²

Wet Film Thickness: 3.2 mm

Dry Film Thickness: 2.62 mm

DRYING TIME (25°C 50%RH) (ASTM D 1640)

Set To Touch: 2~4 hours

Essentially non-drying

SERVICE TEMPERATURE LIMITS (SHTM 08)

(Temperature at coated surface)

-196°C ~ 93°C

WATER VAPOR PERMEANCE (ASTM E 96 - E TYPE)

0.02 perms @2.62mm DFT

WET FLAMMABILITY (ASTM D3278)

Flash Point : 44°C

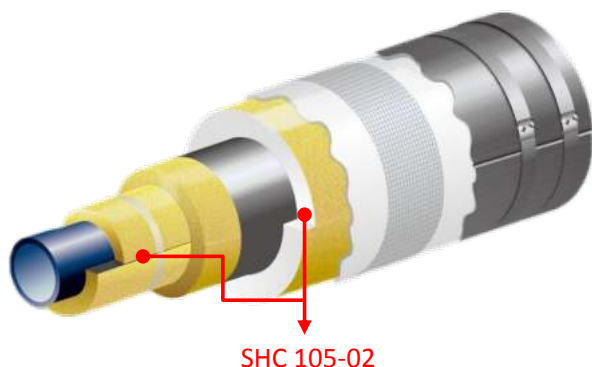
REMARKS

Store and apply between 4°C and 38°C.

No contain asbestos, lead, mercury or mercury compounds.

Do not apply over greasy, oily, damp or frosty surface.

Always test plastic material for compatibility when using a solvent base product.



MAIN APPLICATION

- ◇ Dual temperature joint sealant
- ◇ Compatible with polystyrene foam

SHC 105-02 is a plant oil based flexible joint sealant for thermal insulation.

COLOR

Gray

APPLICATION TOOL

Trowel

AVERAGE WEIGHT / LITER (ASTM D 1475)

1.69 ±0.05 kg/Liter

AVERAGE NON-VOLATILE (ASTM D 2369)

93% ±4.4 by volume

96% ±4.5 by weight

COVERAGE RANGE (SHTM 13)

(Subject to type of surface and nature of material being sealed)

5.5 kg/m²

Wet Film Thickness: 3.26 mm

Dry Film Thickness: 3.00 mm

DRYING TIME (25°C 50%RH) (ASTM D 1640)

Set To Touch: 24 hours

Essentially non-drying

SERVICE TEMPERATURE LIMITS (SHTM 08)

(Temperature at coated surface)

-70°C ~ 153°C

WATER VAPOR PERMEANCE (ASTM E 96 - E TYPE)

0.06 perms @3.2mm DFT

WET FLAMMABILITY (ASTM D 3278)

Flash Point : 61°C

REMARKS

Store and apply between 4°C and 38°C.

No contain asbestos, lead, mercury or mercury compounds.

Do not apply over greasy, oily, damp or frosty surfaces.

Do not use under solvent-based elastomer mastics or coatings.

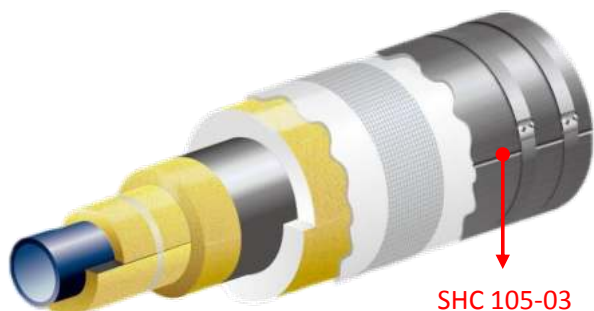
SHTM : SAM HWA TEST METHOD

Sam Hwa Chemicals Co., Ltd.

71-17, Cheonjeong 2-gil, Mokcheon-eup, Dongnam-gu, Cheonan-si, Chungnam, Korea T: +82-2-517-6847 E: sales@shckorea.com / www.shckorea.com

The warranted shelf life is one year from date of shipment.

170102



MAIN APPLICATION

- ◇ Metal sealant for SUS & aluminum jacketing
- ◇ Flexible elastomeric sealant
- ◇ Multi-purpose high temperature sealant

SHC 105-03 is a butyl based elastomer for all types of thermal insulation.

COLOR

Aluminum

APPLICATION TOOL

105-03 : Trowel, Caulking gun

AVERAGE WEIGHT / LITER (ASTM D 1475)

1.10 ±0.05 kg/Liter

AVERAGE NON-VOLATILE (ASTM D 2369)

58% ±2.7 by volume
65% ±3.0 by weight

COVERAGE RANGE (SHTM 13)

(Subject to type of surface and nature of material being sealed)

Trowel : 5.7 kg/m²

Wet Film Thickness: 5.17 mm

Dry Film Thickness: 3.0 mm

caulking gun : 9m/tube @6.4mm Bead

DRYING TIME (25°C 50%RH) (ASTM D 1640)

Set To Touch: 1 hour

Permanently non-drying

SERVICE TEMPERATURE LIMITS (SHTM 08)

(Temperature at coated surface)

-40°C ~ 121°C

WATER VAPOR PERMEANCE (ASTM E 96 - E TYPE)

0.015 perms @3.2mm DFT

WET FLAMMABILITY (ASTM D 3278)

Flash Point : 41°C

SURFACE BURNING CHARACTERISTICS (ASTM E 84)

Class 1 or A

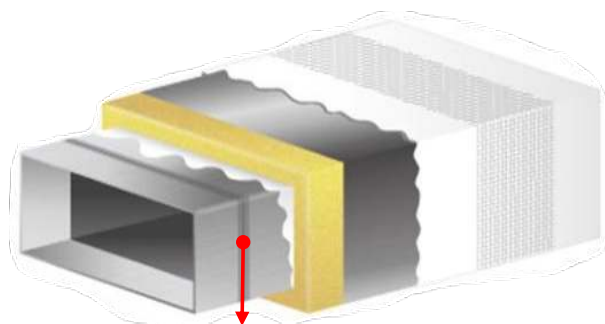
Flame Spread: 25

Smoke Developed: 250

REMARKS

Store and apply between 4°C and 38°C.

No contain asbestos, lead, mercury or mercury compounds.



SHC 105-14

MAIN APPLICATION

- ◇ Fire resistive duct sealant
- ◇ Sealing joints, seams, and pin holes on metal air ducts
- ◇ Fast setting sealant

SHC 105-14 is a fast-setting elastomeric compound as a sealant for air conditioning ducts.

COLOR

Gray

APPLICATION TOOL

Brush, Caulking Gun, Power Extrusion

AVERAGE WEIGHT/ LITER (ASTM D 1475)

1.1 ±0.05 kg/Liter

AVERAGE NON-VOLATILE (ASTM D 2369)

43% ±2.0 by volume
63% ±3.0 by weight

COVERAGE RANGE (SHTM 13)

(Subject to type of surface and nature of material being sealed)

1.3 kg/m²

Wet Film Thickness: 1.2 mm

Dry Film Thickness: 0.5 mm

DRYING TIME (25°C 50%RH) (ASTM D 1640)

Set To Touch: 2 hours

Dry through: 36 hours

SERVICE TEMPERATURE LIMITS (SHTM 08)

(Temperature at coated surface)

-23°C ~ 93°C

WET FLAMMABILITY (ASTM D 3278)

Flash Point: -7°C

SURFACE BURNING CHARACTERISTICS (ASTM E 84)

Class 1 or A

Flame Spread: 15

Smoke Developed: 0

REMARKS

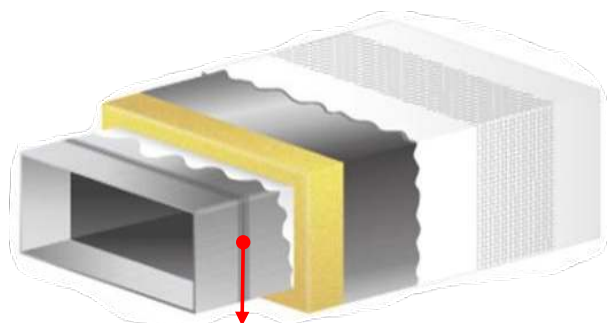
Store and apply between 4°C and 38°C.

No contain asbestos, lead, mercury or mercury compounds.

Always test plastic materials for compatibility when using a solvent based product.

Systems may be pressure-tested 36 hours after application, above 60°F (16°C).

Make certain this product is completely dry and the area is free from solvent odor if food is involved.



SHC 105-17

MAIN APPLICATION

- ◇ Fire resistive, water based duct sealant
- ◇ UV resistant, fibrated sealant
- ◇ Tough dry film
- ◇ Sealing joints, seams, and pin holes on metal air ducts

SHC 105-17 is a water based fibrated sealant for air conditioning ducts.

COLOR

Light Gray

APPLICATION TOOL

Brush, Trowel, Caulking Gun, Power Extrusion

AVERAGE WEIGHT/ LITER (ASTM D 1475)

1.35 ±0.05 kg/Liter

AVERAGE NON-VOLATILE (ASTM D 2369)

55% ±2.6 by volume
69% ±3.2 by weight

COVERAGE RANGE (SHTM 13)

(Subject to type of surface and nature of material being sealed)

2.2 kg/m²

Wet Film Thickness: 1.6 mm

Dry Film Thickness: 0.9 mm

DRYING TIME (25°C 50%RH) (ASTM D 1640)

Set To Touch: 1 hour

Dry through: 24 hours

SERVICE TEMPERATURE LIMITS (SHTM 08)

(Temperature at coated surface)

-7°C ~ 93°C

WET FLAMMABILITY (ASTM D 3278)

No Flash Point in wet state

SURFACE BURNING CHARACTERISTICS (ASTM E 84)

Class 1 or A

Flame Spread: 5

Smoke Developed: 0

REMARKS

Store and apply between 4°C and 38°C.

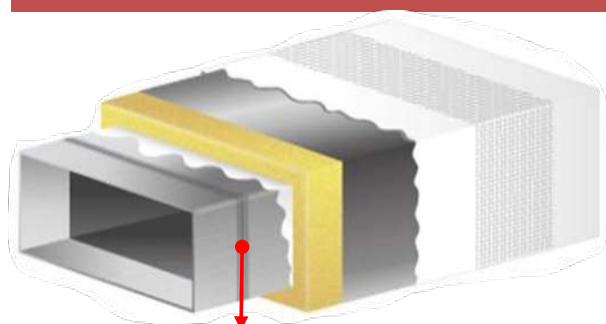
No contain asbestos, lead, mercury or mercury compounds.
protect from freezing until dry.

Always test foil and paper facings for acceptable adhesion.

If used between impermeable surfaces, drying time will be extended.

SHC 105-19/19C

WB DUCT SEALANT



SHC 105-19/19C

MAIN APPLICATION

- ◇ Fire resistive, water based duct sealant
- ◇ UV resistant, non-fibrated sealant
- ◇ Extremely flexible and durable seal
- ◇ Sealing joints, seams, and pin holes on metal air duct

SHC 105-19 is a good water based sealant for duct jacketing, seals, and board facings.

COLOR

Gray

APPLICATION TOOL

105-19: Brush, Trowel, Glove, Power Extrusion, Caulking Gun

AVERAGE WEIGHT / LITER (ASTM D 1475)

1.22 ±0.05 kg/Liter

AVERAGE NON-VOLATILE (ASTM D 2369)

56% ±2.6 by volume

70% ±3.3 by weight

COVERAGE RANGE (SHTM 13)

(Subject to type of surface and nature of material being sealed)

1.1 kg/m²

Wet Film Thickness: 0.8 mm

Dry Film Thickness: 0.4 mm

Caulking Gun(105-19C):

38m/tube @3.2 mm bead

9m/tube @6.4 mm bead

DRYING TIME (25°C 50%RH) (ASTM D 1640)

Set To Touch: 1 hour

Dry through: 16 hours

SERVICE TEMPERATURE LIMITS (SHTM 08)

(Temperature at coated surface)

-7°C ~ 93°C

FUNGAL GROWTH RESISTANCE (ASTM G 21)

Rating = 0, no fungal growth on surface

WET FLAMMABILITY

No Flash Point in wet state

SURFACE BURNING CHARACTERISTICS (ASTM E 84)

Class 1 or A

Flame Spread: 0

Smoke Developed: 0

VOCs (US EPA Method 24)

3.49 g/L

REMARKS

Store and apply between 4°C and 38°C.

No contain asbestos, lead, mercury or mercury compounds.

Always test foil and paper facings for acceptable adhesion.

If used between impermeable surfaces, drying time will be extended.

SHTM : SAM HWA TEST METHOD

Sam Hwa Chemicals Co., Ltd.

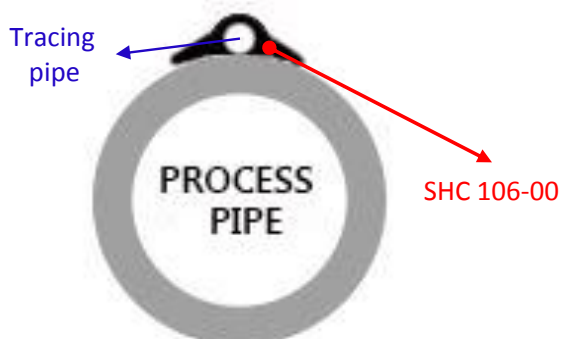
71-17, Cheonjeong 2-gil, Mokcheon-eup, Dongnam-gu, Cheonan-si, Chungnam, Korea T: +82-2-517-6847 E: sales@shckorea.com / www.shckorea.com

The warranted shelf life is one year from date of shipment.

170102

SHC 106-00

HEAT TRANSFER CEMENT



MAIN APPLICATION

- ◇ Paste type of cement
- ◇ Keeping the inner temperature of pipe

SHC 106-00 is a heat transfer cement used for tracing pipe.

COLOR

Black

APPLICATION TOOL

Trowel

AVERAGE WEIGHT / LITER (ASTM D 1475)

1.66 ±0.05 kg/Liter

AVERAGE NON-VOLATILE (ASTM D 2369)

52% ±2.4 by volume

71% ±3.3 by weight

COVERAGE RANGE (SHTM 13)

(Subject to type of surface and nature of material being bonded)

8.2 kg/m²

Wet Film Thickness: 4.92 mm

Dry Film Thickness: 3.0 mm

DRYING TIME (25°C 50%RH) (ASTM D 1640)

Dry Through: 48 hours

SERVICE TEMPERATURE LIMITS (SHTM 08)

(Temperature at coated surface)

-70°C ~ 400°C

THERMAL CONDUCTIVITY (KS L 1604)

5.46 w/mk at 200°C

REMARKS

Store and apply between 4°C and 38°C.

No contain asbestos, lead, mercury or mercury compounds.

Protect from freezing until dry.

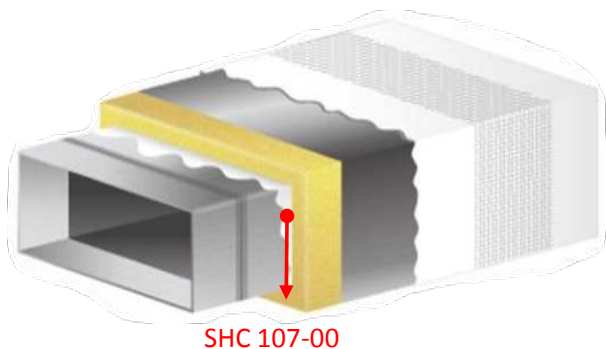
SHTM : SAM HWA TEST METHOD

Sam Hwa Chemicals Co., Ltd.

71-17, Cheonjeong 2-gil, Mokcheon-eup, Dongnam-gu, Cheonan-si, Chungnam, Korea T: +82-2-517-6847 E: sales@shckorea.com / www.shckorea.com

The warranted shelf life is one year from date of shipment.

170102



MAIN APPLICATION

- ◇ Synthetic rubber based economical quick-setting elastomer adhesive
- ◇ Duct liner adhesive for low density insulation

SHC 107-00/02 is a quick-setting, synthetic elastomeric adhesive for attaching duct liner and insulation to metal sheet.

COLOR

107-00: Red
107-02: Amber

APPLICATION TOOL

Spray, Roller, Brush

AVERAGE WEIGHT / LITER (ASTM D 1475)

0.74 ±0.05 kg/Liter

AVERAGE NON-VOLATILE (ASTM D 2369)

18% ±0.8 by volume
24% ±1.1 by weight

COVERAGE RANGE (SHTM 13)

(Subject to type of surface and nature of material being bonded)
0.082 kg/m²
Wet Film Thickness: 0.11 mm
Dry Film Thickness: 0.02 mm

BONDING TIME RANGE(25°C, 50%RH) (SHTM 12)

0 ~ 30 minutes

SERVICE TEMPERATURE LIMITS (SHTM 08)

(Temperature at coated surface)
-29°C ~ 93°C

WET FLAMMABILITY (ASTM D 3278)

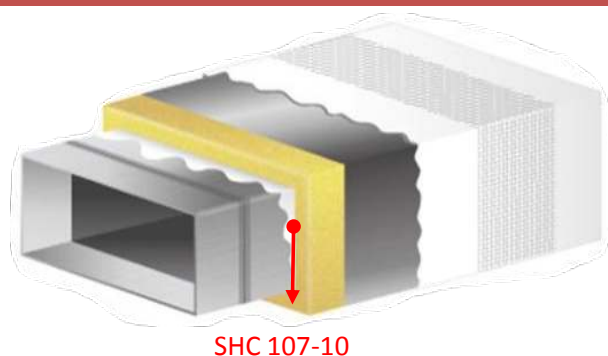
Flash Point : -7°C

SURFACE BURNING CHARACTERISTICS (ASTM E 84)

Class 1 or A
Flame Spread: 10
Smoke Developed: 0

REMARKS

Store and apply between 4°C and 38°C.
No contain asbestos, lead, mercury or mercury compounds.
Always test plastic materials and painted surfaces for compatibility when using solvent base product.
Allow to dry to a solvent-free condition before installing weld pins.
Not suggested for sealing vapor barrier jackets.
Overhead applications may require mechanical fasteners.



MAIN APPLICATION

- ◇ Economical quick-setting elastomer adhesive
- ◇ Fire resistive adhesive
- ◇ Fibrous glasswool or mineralwool insulation to metal air-conditioning ducts

SHC 107-10 is a duct adhesive for use with fibrous insulation and acoustical linings for air conditioning ducts.

COLOR

107-10 : Green
107-11: Off-white

APPLICATION TOOL

Spray, Brush, Roller

AVERAGE WEIGHT / LITER (ASTM D 1475)

0.74 ±0.05 kg/Liter

AVERAGE NON-VOLATILE (ASTM D 2369)

17~19% by volume
28% ±1.3 by weight

COVERAGE RANGE (SHTM 13)

(Subject to type of surface and nature of material being bonded)
0.074 kg/m²
Wet Film Thickness: 0.1 mm
Dry Film Thickness: 0.03 mm

BONDING TIME RANGE(25°C, 50%RH) (SHTM 12)

0 ~ 15 minutes

SERVICE TEMPERATURE LIMITS (SHTM 08)

(Temperature at coated surface)
-29°C ~ 93°C

WET FLAMMABILITY (ASTM D 3278)

Flash Point : -22°C

SURFACE BURNING CHARACTERISTICS (ASTM E 84)

Class 1 or A
Flame Spread: 10
Smoke Developed: 25

REMARKS

Store and apply between 4°C and 38°C.
No contain asbestos, lead, mercury or mercury compounds.
Always test plastic material for compatibility when using a solvent base product.
Make certain this product is completely dry and the area is free from solvent odor if food is involved.
Not suggested for sealing vapor barrier jackets.
Allow to dry to a solvent-free condition before installing weld pins.
Overhead applications may require mechanical fasteners.

SHTM : SAM HWA TEST METHOD

Sam Hwa Chemicals Co., Ltd.

71-17, Cheonjeong 2-gil, Mokcheon-eup, Dongnam-gu, Cheonan-si, Chungnam, Korea T: +82-2-517-6847 E: sales@shckorea.com / www.shckorea.com

The warranted shelf life is one year from date of shipment.

170102



MAIN APPLICATION

- ◇ Ideal adhesive for aerogel insulation

SHC 107-15 is a quick setting synthetic adhesive for installation of Aerogel.

COLOR

Yellow

APPLICATION TOOL

Brush

AVERAGE WEIGHT / LITER (ASTM D 1475)

1.15 ±0.05 kg/Liter

AVERAGE NON-VOLATILE (ASTM D 2369)

20% ±0.9 by volume

31% ±1.9 by weight

COVERAGE RANGE (SHTM 13)

(Subject to type of surface and nature of material being bonded)

0.41 kg/m²

Wet Film Thickness: 0.50 mm

Dry Film Thickness: 0.13 mm

BONDING TIME RANGE(25°C, 50%RH) (SHTM 12)

0 ~ 10 minutes

SERVICE TEMPERATURE LIMITS (SHTM 08)

(Temperature at coated surface)

-29°C ~ 93°C

WET FLAMMABILITY (ASTM D 3278)

Flash Point : -22°C

SURFACE BURNING CHARACTERISTICS (ASTM E 84)

Class 1 or A

Flame Spread: 10

Smoke Developed: 25

REMARKS

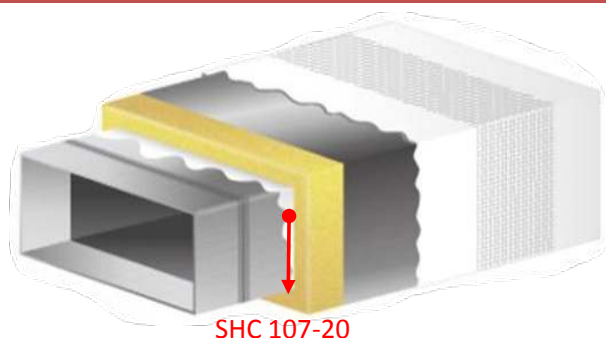
Store and apply between 4°C and 38°C.

No contain asbestos, lead, mercury or mercury compounds.

Always test plastic materials and painted surfaces for compatibility when using a solvent base product.

Allow to dry to a solvent-free condition before installing weld pins.

Make certain this product is completely dry and the area is free from solvent odor if food is involved.



MAIN APPLICATION

- ◇ High tack, rapid-setting adhesive
- ◇ Fibrous insulation to metal air-conditioning ducts
- ◇ non-flammable in wet, fire-resistant in dry

SHC 107-20 is a high tack, rapid-setting synthetic adhesive for installation of insulation.

COLOR

Off-White

APPLICATION TOOL

Brush

AVERAGE WEIGHT / LITER (ASTM D 1475)

1.29 ±0.05 kg/Liter

AVERAGE NON-VOLATILE (ASTM D 2369)

38% ±1.8 by volume

37% ±2.0 by weight

COVERAGE RANGE (SHTM 13)

(Subject to type of surface and nature of material being bonded)

0.66 kg/m²

Wet Film Thickness: 0.5 mm

Dry Film Thickness: 0.18 mm

BONDING TIME RANGE(25°C, 50%RH) (SHTM 12)

0 ~ 15 minutes

SERVICE TEMPERATURE LIMITS (SHTM 08)

(Temperature at coated surface)

-29°C ~ 82°C

WET FLAMMABILITY (ASTM D 3278)

Flash Point : 37°C

SURFACE BURNING CHARACTERISTICS (ASTM E 84)

Class 1 or A

Flame Spread: 15

Smoke Developed: 0

REMARKS

Store and apply between 4°C and 38°C.

No contain asbestos, lead, mercury or mercury compounds.

Always test plastic and painted materials for compatability when using a solvent base product.

Do not apply with flexible PVC.

Make certain this product is completely dry and the area is free from solvent odor if food is involved.



MAIN APPLICATION

- ◇ Hot insulation adhesive for calcium silicate and perlite
- ◇ Attaching insulation to itself and to non-porous surfaces

SHC 107-27 is a sodium silicate based incombustible adhesive for bonding hot thermal insulation.

COLOR

Beige

APPLICATION TOOL

Brush, Trowel

AVERAGE WEIGHT / LITER (ASTM D 1475)

1.64 ±0.05 kg/Liter

AVERAGE NON-VOLATILE (ASTM D 2369)

41% ±1.9 by volume
63% ±3.0 by weight

COVERAGE RANGE (SHTM 13)

(Subject to type of surface and nature of material being bonded)
2.6 kg/m²
Wet Film Thickness: 1.6 mm
Dry Film Thickness: 0.65 mm

BONDING TIME RANGE(25°C, 50%RH) (SHTM 12)

0 ~ 10 minutes

SERVICE TEMPERATURE LIMITS (SHTM 08)

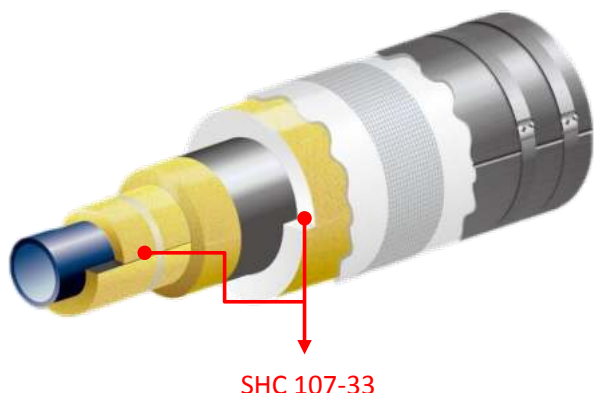
(Temperature at coated surface)
10°C ~ 427°C

WET FLAMMABILITY

No Flash Point in wet state

REMARKS

Store and apply between 4°C and 38°C.
No contain asbestos, lead, mercury or mercury compounds.
Protect from freezing until dry.
Since the dry adhesive film is soluble in water, it should not be used where in expectation of water.
Because of its sodium silicate base, this product is not recommended for use with glass fiber or other alkali sensitive insulations.
Primed or painted metal surfaces should be tested for compatibility.
If used between impermeable surfaces, drying time will be extended.



MAIN APPLICATION

- ◇ One component fire resistive adhesive
- ◇ Fabrication for low density insulation
- ◇ Thermal insulations to structural surfaces

SHC 107-33 is a superior fabrication adhesive to themselves and to all structural surfaces.

COLOR

Cream

APPLICATION TOOL

Trowel

AVERAGE WEIGHT / LITER (ASTM D 1475)

1.58 ±0.05 kg/Liter

AVERAGE NON-VOLATILE (ASTM D 2369)

66% ±3.1 by volume

80% ±3.8 by weight

COVERAGE RANGE (SHTM 13)

(Subject to type of surface and nature of material being bonded)

2.39 kg/m²

Wet Film Thickness: 1.52 mm

Dry Film Thickness: 1.00 mm

BONDING TIME RANGE(25°C, 50%RH) (SHTM 12)

2 ~ 10 minutes

SERVICE TEMPERATURE LIMITS (SHTM 08)

(Temperature at coated surface)

-59°C ~ 149°C

WET FLAMMABILITY (ASTM D 3278)

Flash Point : 43°C

SURFACE BURNING CHARACTERISTICS (ASTM E 84)

Class 1 or A

Flame Spread: 10

Smoke Developed: 35

REMARKS

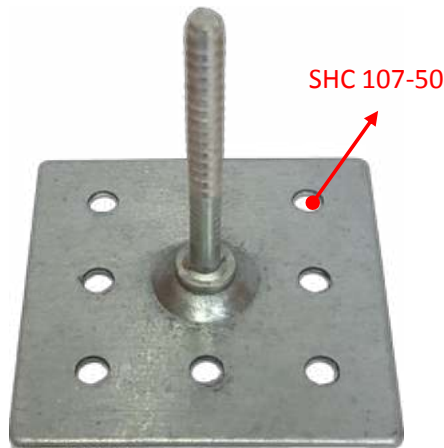
Store and apply between 4°C and 38°C.

No contain asbestos, lead, mercury or mercury compounds.

Always test plastic material for compatibility when using a solvent base product.

Make certain this product is completely dry and the area is free from solvent odor if food is involved.

If used between impermeable surfaces, drying time will be extended.



MAIN APPLICATION

- ◇ Urethan based adhesive for insulation pin or thermal insulation
- ◇ Excellent shock absorbing and strong adhesion after curing

SHC 107-50 is a two component high tack insulation pin adhesive.

COLOR

Part A: Gray / Part B: Brown
Mixed (A&B): Dark Gray

APPLICATION TOOL

Trowel

AVERAGE WEIGHT / LITER (ASTM D 1475)

1.40 ±0.05 kg/Liter ; Mixed (A&B)

AVERAGE NON-VOLATILE (ASTM D 2369)

98% ±4.6 by weight

COVERAGE RANGE (SHTM 13)

(Subject to type of surface and nature of material being bonded)
2.8 kg/m²

Wet Film Thickness: 2.0 mm

Dry Film Thickness: 2.0 mm

MIXING RATIO (by weight)

Part A : Part B = 5 : 1

POT LIFE 25°C, 50%RH (SHTM 07)

60~90 minutes

CURING TIME(25°C, 50%RH) (SHTM 12)

Full Cure: 7 days

TENSILE STRENGTH

Over 4 MPa (25°C), Over 5 MPa (-185°C)

SHEARING STRENGTH

Over 5 MPa (25°C), Over 7 MPa (-185°C)

SERVICE TEMPERATURE LIMITS (SHTM 08)

(Temperature at coated surface)

-196°C ~ 93°C

REMARKS

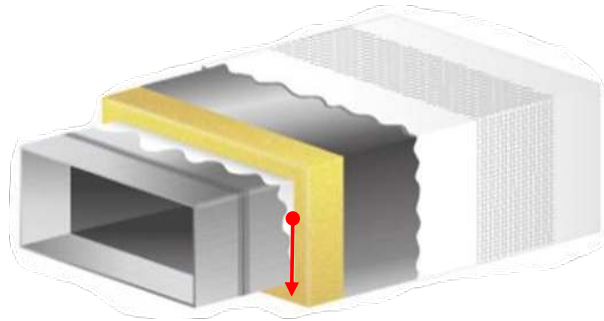
Store and apply between 4°C and 38°C.

No contain asbestos, lead, mercury or mercury compounds.

Allow 24 hours curing time at 25°C minimum before placing in service.

Pot life is longer at lower temperatures, shorter at higher temperatures.

Do not heat the mixed material to above 38°C.



SHC 107-60

MAIN APPLICATION

- ◇ High tack water-based adhesive
- ◇ Bonding low density glasswool to metal
- ◇ Very low VOC synthetic elastomeric adhesive
- ◇ Non-flammable in wet and fire-resistive in dry
- ◇ Adhesive for rubber foam insulation

SHC 107-60 is a water based adhesive for all insulation applications.

COLOR

Cream

APPLICATION TOOL

Spray, Brush, Roller

AVERAGE WEIGHT / LITER (ASTM D 1475)

1.16 ±0.05 kg/Liter

AVERAGE NON-VOLATILE (ASTM D 2369)

54% ±2.5 by volume

57% ±3.0 by weight

COVERAGE RANGE (SHTM 13)

(Subject to type of surface and nature of material being bonded)

0.31 kg/m²

Wet Film Thickness: 0.28 mm

Dry Film Thickness: 0.15 mm

BONDING TIME RANGE(25°C, 50%RH) (SHTM 12)

(Depending upon temperature and humidity)

Contact Bond: 15 minutes ~ 2 hours

Single Surface Wet Bond: 0 ~ 15 minutes

SERVICE TEMPERATURE LIMITS (SHTM 08)

(Temperature at coated surface)

-29°C ~ 98°C

WET FLAMMABILITY

No Flash Point in wet state

SURFACE BURNING CHARACTERISTICS (ASTM E 84)

Class 1 or A

Flame Spread: 10

Smoke Developed: 10

VOCs (US EPA Method 24)

1.53 g/L

REMARKS

Store and apply between 4°C and 38°C.

No contain asbestos, lead, mercury or mercury compounds.

Protect from freezing until dry.

Avoid repositioning the insulation after initial placement.

Not suggested for use with roll coating machines.

Always test plastic foam insulation for warpage when using any water base adhesive.

Not suggested for sealing vapor barrier jackets.

Overhead applications may require mechanical fasteners.

Do not use for impermeable surface.



MAIN APPLICATION

- ◇ One component elastomeric vapor stop
- ◇ Excellent resistance to moisture, water vapor and other gases
- ◇ Vapor stop at pipe supports, fittings, terminations, and protrusions

SHC 107-61 is a one component vapor stop for cryogenic and specific chemical resistance applications.

COLOR

Dark Grey

APPLICATION TOOL

Brush, Trowel

AVERAGE WEIGHT / LITER (ASTM D 1475)

1.11 ±0.05 kg/Liter ; Mixed (A&B)

AVERAGE NON-VOLATILE (ASTM D 2369)

45% ±2.1 by volume
57.5% ±2.7 by weight

COVERAGE RANGE (SHTM 13)

(Subject to type of surface and nature of material being coated)

1.8 kg/m²

Wet Film Thickness: 1.63 mm

Dry Film Thickness: 0.71 mm

DRYING TIME (25°C, 50%RH) (ASTM D 1640)

Set To Touch : 2~3 hours

Dry Through : 24 hours

SERVICE TEMPERATURE LIMITS (SHTM 08)

(Temperature at coated surface)

-196°C ~ 121°C

WATER VAPOR PERMEANCE (ASTM E 96 - E TYPE)

0.01 perms @0.64mm DFT (38°C, 90%RH)

WET FLAMMABILITY (ASTM D 3278)

Flash point : 46°C

REMARKS

Store and apply between 4°C and 38°C.

No contain asbestos, lead, mercury or mercury compounds.

Always test plastic materials and painted surfaces for compatibility when using a solvent base product.

Do not use on polystyrene insulation.



MAIN APPLICATION

- ◇ Two component elastomeric vapor stop
- ◇ Excellent resistance to moisture, water vapor and other gases
- ◇ Vapor stop at pipe supports, fittings, terminations, and protrusions

SHC 107-66 is a two component vapor stop for cryogenic and specific chemical resistance applications.

COLOR

Black

APPLICATION TOOL

Brush, Roller

AVERAGE WEIGHT / LITER (ASTM D1475)

1.15 ±0.05 kg/Liter ; Mixed (A&B)

AVERAGE NON-VOLATILE (ASTM D2369)

50% ±2.4 by volume

61% ±3.4 by weight

COVERAGE RANGE (SHTM 13)

(Subject to type of surface and nature of material being coated)

1.9 kg/m²

Wet Film Thickness: 1.62 mm

Dry Film Thickness: 0.81 mm

MIXING RATIO (by weight)

Part A : Part B = 1 : 1

CURING TIME (25°C, 50%RH) (SHTM 12)

Dry through : 24 hours

Full cure : 2 weeks

POT LIFE (25°C, 50%RH) (SHTM 07)

6 ~ 9 hours

SERVICE TEMPERATURE LIMITS (SHTM 08)

(Temperature at coated surface)

-196°C ~ 121°C

WATER VAPOR PERMEANCE (ASTM E 96 - E TYPE)

0.01 perms @ 0.8mm DFT

WET FLAMMABILITY (ASTM D3278)

Flash point : 27°C

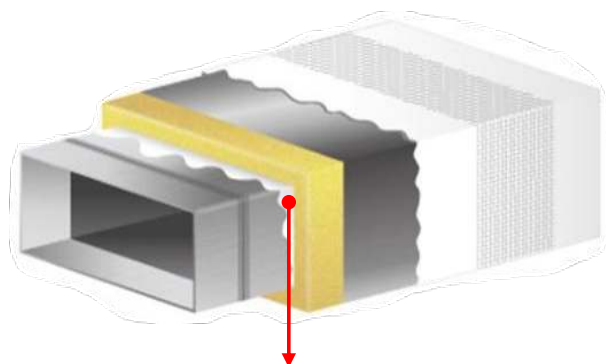
REMARKS

Store and apply between 4°C and 38°C.

No contain asbestos, lead, mercury or mercury compounds.

Always test plastic materials for compatibility when using a solvent base product.

Do not use on polystyrene insulation.



SHC 107-70

MAIN APPLICATION

- ◇ Rapid setting water-based adhesive
- ◇ Bonding glasswool and mineralwool insulation to metal
- ◇ Very low VOC synthetic elastomeric adhesive
- ◇ Non-flammable in wet and fire-resistive in dry
- ◇ Adhesive for rubber foam insulation

SHC 107-70 is a water based adhesive for all insulation applications.

COLOR

Cream

APPLICATION TOOL

Spray, Brush, Roller

AVERAGE WEIGHT/ LITER (ASTM D 1475)

1.05 ±0.05 kg/Liter

AVERAGE NON-VOLATILE (ASTM D 1644)

50% ±2.4 by volume

50% ±2.6 by weight

COVERAGE RANGE (SHTM 13)

(Subject to type of surface and nature of material being bonded)

0.32 kg/m²

Wet Film Thickness: 0.30 mm

Dry Film Thickness: 0.15 mm

BONDING TIME RANGE (25°C, 50%RH) (SHTM 12)

Contact Bond: 0-20 minutes

(Depending on temperature, humidity and application rate)

SERVICE TEMPERATURE LIMITS (SHTM 08)

(Temperature at coated surface)

-29°C ~ 93°C

WET FLAMMABILITY (ASTM D 3278)

No flash to boiling over 93°C

SURFACE BURNING CHARACTERISTICS (ASTM E 84)

Class 1 or A

Flame Spread: 15

Smoke Developed: 0

VOCs (US EPA Method 24)

54.9 g/L

REMARKS

Store and apply between 4°C and 38°C.

No contain asbestos, lead, mercury or mercury compounds.

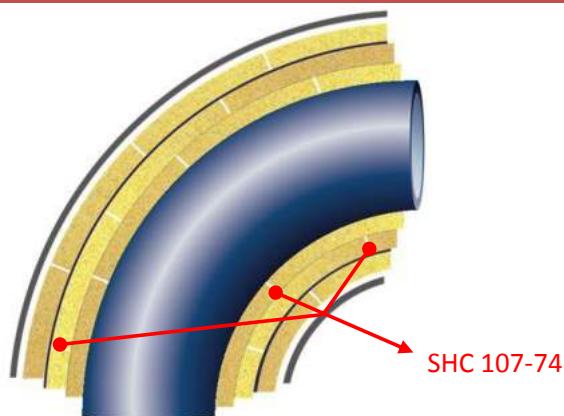
Protect from freezing until dry.

Avoid repositioning the insulation after initial placement.

Always test plastic foam insulation for warpage when using any water base adhesive.

Overhead applications may require mechanical fasteners.

Do not use for impermeable surface.



MAIN APPLICATION

- ◇ Strong adhesion strength
- ◇ Adhesive for Al-foil & PIR insulation
- ◇ Bonding cold insulation for elbow and pipes

SHC 107-74 is a two component urethane based adhesive for cold insulation.

COLOR

Part A : Cream / Part B : Brown

APPLICATION TOOL

Trowel, Brush

AVERAGE WEIGHT / LITER (ASTM D 1475)

1.46 ±0.05 kg/Liter ; Mixed (A&B)

AVERAGE NON-VOLATILE (ASTM D 1644)

97% ±4.6 by volume
98% ±4.6 by weight

COVERAGE RANGE (SHTM 13)

(Subject to type of surface and nature of material being bonded)
3.0 kg/m²
Wet Film Thickness: 2.06 mm
Dry Film Thickness: 2.00 mm

MIXING RATIO (by weight)

Part A : Part B = 5 : 1

POT LIFE (25°C, 50%RH) (SHTM 07)

0.5~1 hour

CURING TIME (25°C, 50%RH) (SHTM 12)

Full Cure: 7 days

SERVICE TEMPERATURE LIMITS (SHTM 08) (Temperature at coated surface)

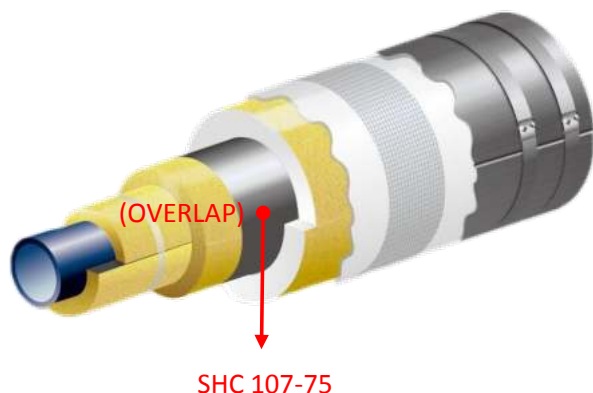
-196°C ~ 93°C

WET FLAMMABILITY (ASTM D 3278)

(Part A, B or Blended)
Flash Point : Over 99°C

REMARKS

Store and apply between 4°C and 38°C.
No contain asbestos, lead, mercury or mercury compounds.
Allow 48 hours curing time at 25°C, 50%RH minimum before placing in service.
Pot life is longer at lower temperatures, shorter at higher temperatures.
Do not heat Part A, Part B, or the mixed material to above 38°C.



MAIN APPLICATION

- ◇ Non-flammable adhesive
- ◇ Adhesive for impermeable surface (Contact bond)

SHC 107-75 is a lap adhesive for secondary vapor barrier aluminum foil.

COLOR

Off-White

APPLICATION CONSISTENCY

Brush

AVERAGE WEIGHT / LITER (ASTM D 1475)

1.34 ±0.05 kg/Liter

AVERAGE NON-VOLATILE (ASTM D 1644)

19% ±0.9 by volume

21% ±1.0 by weight

COVERAGE RANGE (SHTM 13)

(Subject to type of surface and nature of material being bonded)

0.4 kg/m²

Wet Film Thickness: 0.3 mm

Dry Film Thickness: 0.06 mm

BONDING TIME RANGE(25°C, 50%RH) (SHTM 12)

5 ~ 60 minutes

SERVICE TEMPERATURE LIMITS (SHTM 08)

(Temperature at coated surface)

-46°C ~ 93°C

WET FLAMMABILITY (ASTM D 3278)

No Flash to boiling over 40°C

REMARKS

Store and apply between 4°C and 38°C.

No contain asbestos, lead, mercury or mercury compounds.

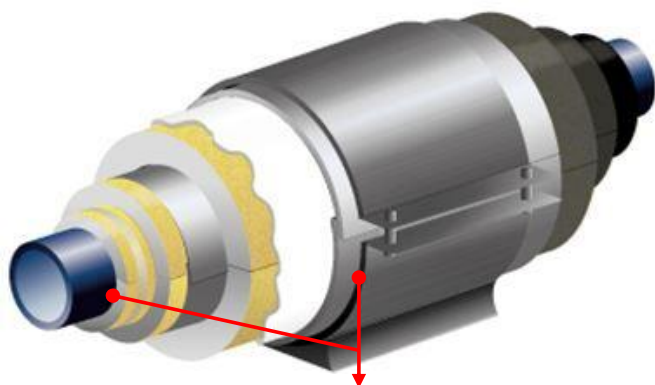
Always test plastic materials for compatibility when using a solvent base product.

Do not use with flexible PVC.

Be sure to store for at least 24 hours before application.

SHC 107-77

CRYOGENIC ADHESIVE



SHC 107-77

MAIN APPLICATION

- ◇ Excellent Adhesion for cryogenic temperature
- ◇ High solid content (100%)
- ◇ High tensile strength
- ◇ 3 component adhesive

SHC 107-77 is a cryogenic adhesive for metal and insulation.

COLOR

Black

APPLICATION TOOL

Trowel

AVERAGE WEIGHT / LITER (ASTM D1475)

1.85 ±0.05 kg/Liter ; Mixed (A&B&C)

AVERAGE NON-VOLATILE (ASTM D1644)

99.7% ±0.1 by weight

COVERAGE RANGE (SHTM 13)

(Subject to type of surface and nature of material being bonded)

3~12 kg/m²

Wet Film Thickness: 1.6 ~ 6.41 mm

Dry Film Thickness: 1.6 ~ 6.41 mm

MIXING RATIO

Part A : Part B : Part C = 3.13 : 1 : 9.33 (by weight)

CURING TIME (25°C, 50%RH) (SHTM 12)

Full Cure: 1 week

POT LIFE (25°C, 50%RH) (SHTM 07)

90 minutes

SERVICE TEMPERATURE LIMITS (SHTM 08)

(Temperature at coated surface)

-196°C ~ 121°C

WET FLAMMABILITY (ASTM D3278)

Flash Point: Over 121°C

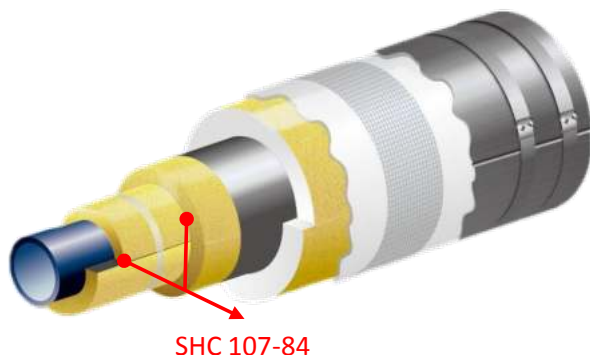
REMARKS

Store and apply between 4°C and 38°C.

No contain asbestos, lead, mercury or mercury compounds.

Pot life is longer at lower temperature.

Always test plastic materials for compatibility when using a solvent base product.



MAIN APPLICATION

- ◇ Bonding most cold insulation to themselves and to other surfaces
- ◇ High adhesion strength containing no flammable solvent
- ◇ Strong and flexible after curing
- ◇ 2 component adhesive

SHC 107-84 is a two component urethane based adhesive and joint sealant for cold insulation.

COLOR

Part A : Cream / Part B : Brown

APPLICATION TOOL

Trowel, Brush

AVERAGE WEIGHT / LITER (ASTM D 1475)

1.37 ±0.05 kg/Liter ; Mixed (A&B)

AVERAGE NON-VOLATILE (ASTM D 1644)

97% ±4.6 by volume

98% ±4.6 by weight

COVERAGE RANGE (SHTM 13)

(Subject to type of surface and nature of material being bonded)

2.9 kg/m²

Wet Film Thickness: 2.06 mm

Dry Film Thickness: 2.00 mm

MIXING RATIO (by weight)

Parts A : Part B = 9 : 1

POT LIFE (25°C, 50%RH) (SHTM 07)

1 ~ 2 hours

CURING TIME (25°C, 50%RH) (SHTM 12)

Full Cure: 7 days

SERVICE TEMPERATURE LIMITS (SHTM 08)

(Temperature at coated surface)

-196°C ~ 93°C

WET FLAMMABILITY (ASTM D3278)

Flash Point over 93°C

REMARKS

Store and apply between 4°C and 38°C.

No contain asbestos, lead, mercury or mercury compounds.

Allow 48 hours curing time at 25°C, 50%RH minimum before placing in service.

Pot life is longer at lower temperatures, shorter at higher temperatures.

Do not heat Part A, Part B, or the mixed material to above 38°C.

SHC 107-84H

POLY CELL COATING



MAIN APPLICATION

- ◇ Low viscosity adhesive
- ◇ Strong and flexible coating after curing
- ◇ Excellent adhesion strength for low temperature
- ◇ Non flammable solvent
- ◇ 2 component adhesive

SHC 107-84H is a glass mesh adhesive for cryogenic temperature application.

COLOR

Part A : Cream / Part B : Brown

APPLICATION TOOL

Spray, Brush

AVERAGE WEIGHT / LITER (ASTM D 1475)

1.48 ±0.05 kg/L ; Mixed (A&B)

AVERAGE NON-VOLATILE (ASTM D 2369)

97% ±4.6 by volume
98% ±4.6 by weight

COVERAGE RANGE (SHTM 13)

(Subject to type of surface and nature of material being bonded)

2.8 kg/m²

Wet Film Thickness: 2.01 mm

Dry Film Thickness: 2.00 mm

MIXING RATIO (by weight)

Part A : Part B = 4.0 : 1.0 (by weight)

Part A : Part B = 3.5 : 1.0 (by volume)

POT LIFE (25°C, 50%RH) (SHTM 07)

2 ~ 3 hours

CURING TIME (25°C, 50%RH) (SHTM 12)

Maximum Strength: 7 days

SERVICE TEMPERATURE LIMITS (SHTM 08)

(Temperature at coated surface)

-196°C ~ 93°C

REMARKS

Store and apply between 4°C and 38°C.

No contain asbestos, lead, mercury or mercury compounds.

Allow 48 hours curing time at 25°C, 50%RH minimum before placing in service.

Pot life is longer at lower temperatures, shorter at higher temperatures.

SHC 204-01

HARD SETTING CEMENT



MAIN APPLICATION

- ◇ Finish material for irregular surfaces for insulation work
- ◇ Inorganic fiber, heat-resistive compound based cement with corrosion inhibitor

SHC 204-01 is a hard setting cement for vertical/horizontal vessel, heat exchanger, pipeline and irregular surface.

COLOR

Light Gray

APPLICATION TOOL

Trowel

DENSITY

1.00 ±0.05 kg/Liter

COVERAGE

(Subject to type of surface and nature of material being bonded)

25 kg/m²

Wet Film Thickness: 25mm

SERVICE TEMPERATURE LIMITS (SHTM 08)

500°C

LINEAR SHRINKAGE

1.0% (after 24hr. at 538°C)

THERMAL CONDUCTIVITY (KS L 1604)

0.27 + 0.002θ kcal/hr.m.°C

MIXING RATIO

1.5 : 1 (Hard Cement : Water) by weight

(Subject to change by site situation)

REMARKS

Store and apply between 4°C and 38°C in dry place.

No contain asbestos, lead, mercury or mercury compounds.

Do not apply below 0°C.

SHTM : SAM HWA TEST METHOD

Sam Hwa Chemicals Co., Ltd.

71-17, Cheonjeong 2-gil, Mokcheon-eup, Dongnam-gu, Cheonan-si, Chungnam, Korea T: +82-2-517-6847 E: sales@shckorea.com / www.shckorea.com

The warranted shelf life is one year from date of shipment.

170102



MAIN APPLICATION

- ◇ Meets the requirements of ASTM C-449
- ◇ Finish material for irregular surfaces for insulation work

SHC 204-02 is a finishing cement for vertical/horizontal vessel, heat exchanger, pipeline and irregular surface.

COLOR

Gray

APPLICATION TOOL

Trowel

DENSITY

0.60 ±0.05 kg/Liter

COVERAGE

(Subject to type of surface and nature of material being bonded)

15 kg/m²

Wet Film Thickness: 25mm

SERVICE TEMPERATURE LIMITS (SHTM 08)

649°C

LINEAR SHRINKAGE

1.6%

THERMAL CONDUCTIVITY (KS L 1604)

0.1 + 0.0002θ kcal/hr.m.°C

MIXING RATIO

1 : 1 (Finishing Cement : Water) by weight
(Subject to change by site situation)

REMARKS

Store and apply between 4°C and 38°C in dry place.

No contain asbestos, lead, mercury or mercury compounds.

Do not apply below 0°C.

Applied surface should be protected by water-proofing.



MAIN APPLICATION

- ◇ Meets the requirements of ASTM C 195
- ◇ Semi-alkalic mineral fiber, diatomite and mineral wool based mortar
- ◇ Heat-resistant by blending with water

SHC 204-03 is a insulating cement for vessel, heat exchanger, pipeline and irregular surface.

COLOR

Gray

APPLICATION TOOL

Trowel

DENSITY

0.50 ±0.05 kg/Liter

COVERAGE

(Subject to type of surface and nature of material being bonded)

12.5 kg/m²

Wet Film Thickness: 25mm

SERVICE TEMPERATURE LIMITS (SHTM 08)

1000°C

LINEAR SHRINKAGE

3.0% max at 1000°C

THERMAL CONDUCTIVITY (KS L 1604)

0.086 kcal/hr.m.°C at 93°C

0.105 kcal/hr.m.°C at 260°C

0.118 kcal/hr.m.°C at 371°C

MIXING RATIO

1 : 1 (Insulating Cement : Water)

(Subject to change by site situation)

REMARKS

Store and apply between 4°C and 38°C in dry place.

No contain asbestos, lead, mercury or mercury compounds.

Do not apply below 0°C.



MAIN APPLICATION

- ◇ Fabrication adhesive for cellular glass
- ◇ Inorganic, non combustible adhesive
- ◇ Anti Abrasive product for inner surface of cellular glass

SHC 204-05 is a gypsum plaster for cellular glass.

COLOR

Dark Gray

APPLICATION TOOL

Trowel, Brush

AVERAGE WEIGHT/LITER

1.17 ±0.05 kg/Liter

COVERAGE RANGE

(Subject to type of surface and nature of material being bonded)

2.3 kg/m²

Dry Film Thickness: 2mm

MELTING POINT

1450°C

SET TIME (25°C)

20 ~ 30 minutes

SERVICE TEMPERATURE LIMITS (SHTM 12)

-196 ~ 500°C

PH

Alkaline

SURFACE BURNING CHARACTERISTICS

Incombustible wet or dry

MIXING RATIO

2 : 1 (Gypsum Plaster : Water)

(Subject to change by site situation)

REMARKS

Store and apply between 4°C and 38°C.

No contain asbestos, lead, mercury or mercury compounds.

Store in a dry area.

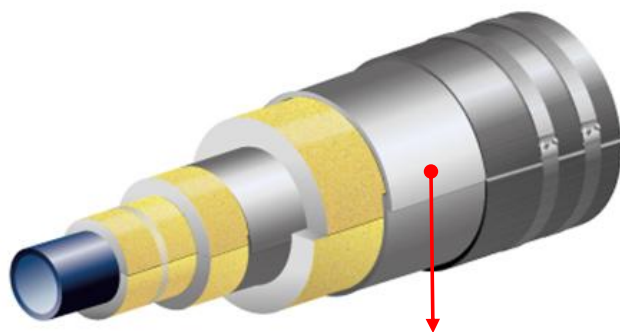
Cold water will delay set, hot water will accelerate set.

Set adhesive must be mechanically removed.

Gypsum plaster can be washed off when wet but cleaned by physical touch after cured.

SHC 700-101/102

BUSEAL WRAP 10



SHC 700-101/102

MAIN PURPOSE

- ◇ Primary vapor barrier
- ◇ Excellent resistance to vapor and UV
- ◇ Easy to apply
- ◇ Strong adhesion strength
- ◇ Industrial cold and cryogenic application for LNG tank, pipe and other facilities
- ◇ Commercial building and HVAC industry

SHC 700-101/102 is a self adhesive outer vapor barrier sheet composed of butyl rubber compound laminated to a aluminum and tough PE film and a treated peel and stick release liner.

COLOR

SHC 700-101 : Aluminum-Black
SHC 700-102 : Aluminum-Gray

COMPOSITION

Aluminum foil faced Butyl wrap
; Butyl Rubber Compound+12 μ mPE+25 μ mAL+12 μ mPE
(Others available on requests)

DENSITY

1.50 \pm 0.05 g/cm³

DIMENSION

Thickness: 1.0mm \pm 5%
Width: 1meter
Length: 15meter
(15m² Roll)

SERVICE TEMPERATURE LIMITS

(Temperature at coated surface)
- 40 ~ 121°C

WATER VAPOR PERMEANCE (ASTM E96, Pro-E)

< 0.02 metric perms

SURFACE BURNING CHARACTERISTICS (ASTM E84)

Class 1 or A

BONDING TIME

Max. 24 hours

ADHESION STRENGTH (ASTM D1000)

\geq 10 N/cm

ELONGATION (ASTM D1000)

\geq 30%

TENSILE STRENGTH (ASTM D1000)

\geq 60N/cm

BREAKING STRENGTH (ASTM D1000)

Over 80N/10mm

BUTYL HEAT RESISTANCE

Flow \leq 3mm @ 5°C, Flow \leq 3mm @ 70°C

REMARKS

Store and apply between 4°C and 38°C.

No contain asbestos, lead, mercury or mercury compounds.

BUSEAL WRAP 10 is compatible with the substrates for adhesion and chemical reaction, before using.

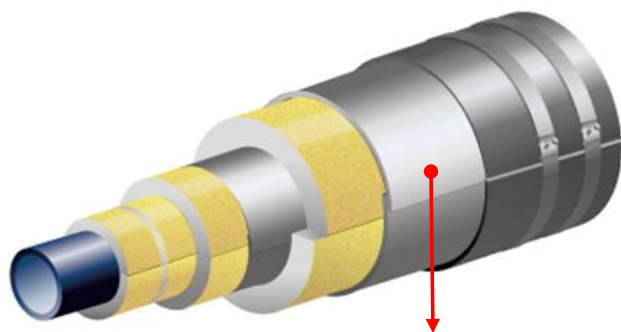
BUSEAL WRAP 10 should apply on the surface such as free of moisture, foreign material, oil and any contaminations.

BUSEAL WRAP 10 to size, apply and press down firmly, referably with roller.

BUSEAL WRAP 10 is sure to remove release liner gradually to avoid wrinkling.

SHC 700-121/122

BUSEAL WRAP 12



SHC 700-121/122

MAIN PURPOSE

- ◇ Primary vapor barrier
- ◇ Excellent resistance to vapor and UV
- ◇ Easy to apply
- ◇ Strong adhesion strength
- ◇ Industrial cold and cryogenic application for LNG tank, pipe and other facilities
- ◇ Commercial building and HVAC industry

SHC 700-121/122 is a self adhesive outer vapor barrier sheet composed of butyl rubber compound laminated to a aluminum and tough PE film and a treated peel and stick release liner.

COLOR

SHC 700-121 : Aluminum-Black

SHC 700-122 : Aluminum-Gray

COMPOSITION

Aluminum foil faced Butyl wrap
; Butyl Rubber Compound+12 μ m PE+25 μ m AL+12 μ m PE
(Others available on requests)

DENSITY

1.50 \pm 0.05 g/cm³

DIMENSION

Thickness: 1.2mm \pm 5%

Width: 1meter

Length: 15meter

(15m² Roll)

SERVICE TEMPERATURE LIMITS

(Temperature at coated surface)

- 40 ~ 121°C

WATER VAPOR PERMEANCE (ASTM E96, Pro-E)

< 0.02 metric perms

SURFACE BURNING CHARACTERISTICS (ASTM E84)

Class 1 or A

BONDING TIME

Max. 24 hours

ADHESION STRENGTH (ASTM D1000)

\geq 10 N/cm

ELONGATION (ASTM D1000)

\geq 30%

TENSILE STRENGTH (ASTM D1000)

\geq 60N/cm

BREAKING STRENGTH (ASTM D1000)

Over 80N/10mm

BUTYL HEAT RESISTANCE

Flow \leq 3mm @ 5°C, Flow \leq 3mm @ 70°C

REMARKS

Store and apply between 4°C and 38°C.

No contain asbestos, lead, mercury or mercury compounds.

BUSEAL WRAP 12 is compatible with the substrates for adhesion and chemical reaction, before using.

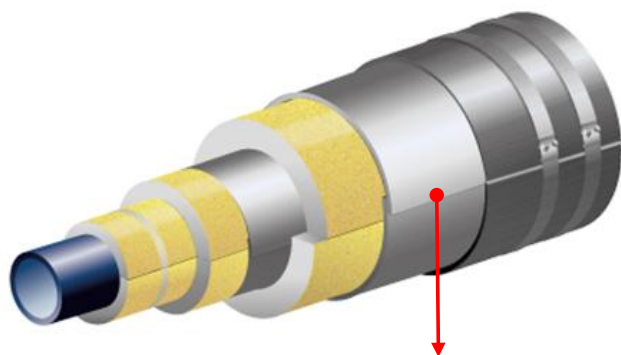
BUSEAL WRAP 12 should apply on the surface such as free of moisture, foreign material, oil and any contaminations.

BUSEAL WRAP 12 to size, apply and press down firmly, referably with roller.

BUSEAL WRAP 12 is sure to remove release liner gradually to avoid wrinkling.

SHC 710-101/102

BUSEAL TAPE 10



SHC 710-101/102

MAIN PURPOSE

- ◇ Primary vapor barrier tape
- ◇ Excellent resistance to vapor and UV
- ◇ Easy to apply
- ◇ Strong adhesion strength
- ◇ Industrial cold and cryogenic application for LNG tank, pipe and other facilities
- ◇ Commercial building and HVAC industry

SHC 710-101/102 is a self adhesive vapor barrier tape composed of butyl rubber compound laminated to a aluminum and tough PE film and a treated peel and stick release liner.

COLOR

SHC 710-101 : Aluminum-Black

SHC 710-102 : Aluminum-Gray

COMPOSITION

Aluminum foil faced Butyl wrap
; Butyl Rubber Compound+12 μ mPE+25 μ mAL+12 μ mPE
(Others available on requests)

DENSITY: 1.50 \pm 0.05 g/cm³

DIMENSION

Thickness: 1.0mm \pm 5%

Width: width is available on request

Length: 15meter

SERVICE TEMPERATURE LIMITS

(Temperature at coated surface)

- 40 ~ 121 $^{\circ}$ C

WATER VAPOR PERMEANCE (ASTM E96, Pro-E)

< 0.02 metric perms

SURFACE BURNING CHARACTERISTICS (ASTM E84)

Class 1 or A

BONDING TIME

Max. 24 hours

ADHESION STRENGTH (ASTM D1000)

\geq 10 N/cm

ELONGATION (ASTM D1000)

\geq 30%

TENSILE STRENGTH (ASTM D1000)

\geq 60N/cm

BREAKING STRENGTH (ASTM D1000)

Over 80N/10mm

BUTYL HEAT RESISTANCE

Flow \leq 3mm @ 5 $^{\circ}$ C, Flow \leq 3mm @ 70 $^{\circ}$ C

REMARKS

Store and apply between 4 $^{\circ}$ C and 38 $^{\circ}$ C.

No contain asbestos, lead, mercury or mercury compounds.

BUSEAL TAPE 10 is compatible with the substrates for adhesion and chemical reaction, before using.

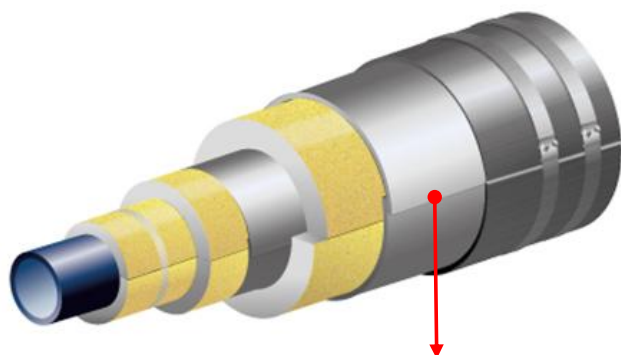
BUSEAL TAPE 10 should apply on the surface such as free of moisture, foreign material, oil and any contaminations.

BUSEAL TAPE 10 to size, apply and press down firmly, preferably with roller.

BUSEAL TAPE 10 is sure to remove release liner gradually to avoid wrinkling.

SHC 710-121/122

BUSEAL TAPE 12



SHC 710-121/122

MAIN PURPOSE

- ◇ Primary vapor barrier tape
- ◇ Excellent resistance to vapor and UV
- ◇ Easy to apply
- ◇ Strong adhesion strength
- ◇ Industrial cold and cryogenic application for LNG tank, pipe and other facilities
- ◇ Commercial building and HVAC industry

SHC 710-121/122 is a self adhesive vapor barrier tape composed of butyl rubber compound laminated to a aluminum and tough PE film and a treated peel and stick release liner.

COLOR

SHC 710-121 : Aluminum-Black

SHC 710-122 : Aluminum-Gray

COMPOSITION

Aluminum foil faced Butyl wrap
; Butyl Rubber Compound+12 μ mPE+25 μ mAL+12 μ mPE
(Others available on requests)

DENSITY: 1.50 \pm 0.05 g/cm³

DIMENSION

Thickness: 1.2mm \pm 5%

Width: width is available on request

Length: 15meter

SERVICE TEMPERATURE LIMITS

(Temperature at coated surface)

- 40 ~ 121 $^{\circ}$ C

WATER VAPOR PERMEANCE (ASTM E96, Pro-E)

< 0.02 metric perms

SURFACE BURNING CHARACTERISTICS (ASTM E84)

Class 1 or A

BONDING TIME

Max. 24 hours

ADHESION STRENGTH (ASTM D1000)

\geq 10 N/cm

ELONGATION (ASTM D1000)

\geq 30%

TENSILE STRENGTH (ASTM D1000)

\geq 60N/cm

BREAKING STRENGTH (ASTM D1000)

Over 80N/10mm

BUTYL HEAT RESISTANCE

Flow \leq 3mm @ 5 $^{\circ}$ C, Flow \leq 3mm @ 70 $^{\circ}$ C

REMARKS

Store and apply between 4 $^{\circ}$ C and 38 $^{\circ}$ C.

No contain asbestos, lead, mercury or mercury compounds.

BUSEAL TAPE 12 is compatible with the substrates for adhesion and chemical reaction, before using.

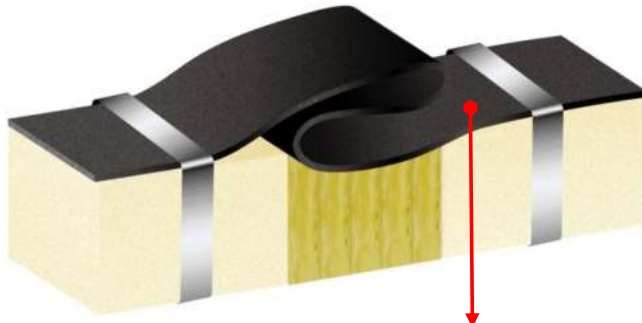
BUSEAL TAPE 12 should apply on the surface such as free of moisture, foreign material, oil and any contaminations.

BUSEAL TAPE 12 to size, apply and press down firmly, preferably with roller.

BUSEAL TAPE 12 is sure to remove release liner gradually to avoid wrinkling.

SHC 720-101

BUTYL RUBBER SHEET 10



SHC 720-101

MAIN PURPOSE

- ◇ Vapor barrier for contraction and expansion joint of cold and cryogenic insulation
- ◇ LNG and petrochemical plants

SHC 720-101 is a vapor barrier sheet composed of butyl rubber compound.

COLOR

Black

DENSITY

1.35~1.40 g/cm³

DIMENSION

Thickness: 1.0mm ±5%

Width: width is available on request

Length: 20meter

SOLID CONTENTS

100%

SERVICE TEMPERATURE LIMITS

(Temperature at coated surface)

- 40 ~ 120°C

WATER VAPOR PERMEANCE (ASTM E96, Pro-E)

< 0.1 metric perms

ELONGATION (ASTM D412)

≥ 150%

TENSILE STRENGTH (ASTM D412)

≥ 5.0Mpa

BUTYL RUBBER SHEET 10 has good tensile strength and elongation. Because of its good flexibility, it can be used in various places where high flexibility is required, such as LNG plants, petrochemical plants and so on.

BUTYL RUBBER SHEET 10 has excellent resistance to oil, thermal shock, abrasion, chemicals, and fire. It is usually used for gasket, packing and roofing.

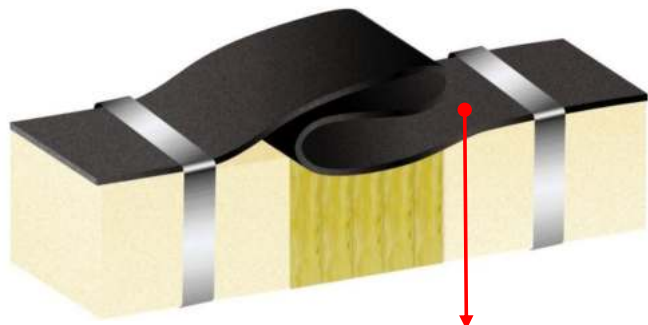
REMARKS

Store and apply between 4°C and 38°C.

No contain asbestos, lead, mercury or mercury compounds.

SHC 720-121

BUTYL RUBBER SHEET 12



SHC 720-121

MAIN PURPOSE

- ◇ Vapor barrier for contraction and expansion joint of cold and cryogenic insulation
- ◇ LNG and petrochemical plants

SHC 720-121 is a vapor barrier sheet composed of butyl rubber compound.

COLOR

Black

DENSITY

1.35~1.40 g/cm³

DIMENSION

Thickness: 1.2mm ±5%

Width: width is available on request

Length: 20meter

SOLID CONTENTS

100%

SERVICE TEMPERATURE LIMITS

(Temperature at coated surface)

- 40 ~ 120°C

WATER VAPOR PERMEANCE (ASTM E96, Pro-E)

< 0.1 metric perms

ELONGATION (ASTM D412)

≥ 150%

TENSILE STRENGTH (ASTM D412)

≥ 5.0Mpa

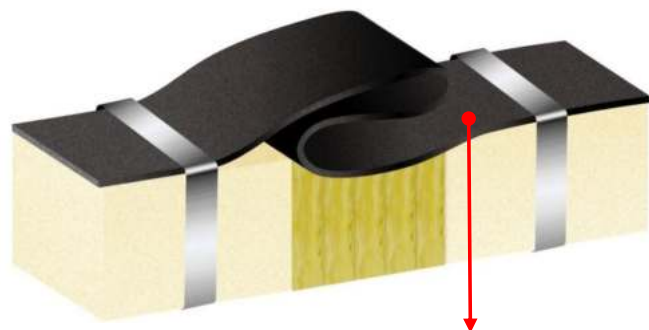
BUTYL RUBBER SHEET 12 has good tensile strength and elongation. Because of its good flexibility, it can be used in various places where high flexibility is required, such as LNG plants, petrochemical plants and so on.

BUTYL RUBBER SHEET 12 has excellent resistance to oil, thermal shock, abrasion, chemicals, and fire. It is usually used for gasket, packing and roofing.

REMARKS

Store and apply between 4°C and 38°C.

No contain asbestos, lead, mercury or mercury compounds.



SHC 720-131

MAIN PURPOSE

- ◇ Vapor barrier for contraction and expansion joint of cold and cryogenic insulation
- ◇ LNG and petrochemical plants

SHC 720-131 is a vapor barrier sheet composed of butyl rubber compound.

COLOR

Black

DENSITY

1.35~1.40 g/cm³

DIMENSION

Thickness: 1.3mm ±5%

Width: width is available on request

Length: 20meter

SOLID CONTENTS

100%

SERVICE TEMPERATURE LIMITS

(Temperature at coated surface)

- 40 ~ 120°C

WATER VAPOR PERMEANCE (ASTM E96, Pro-E)

< 0.1 metric perms

ELONGATION (ASTM D412)

≥ 150%

TENSILE STRENGTH (ASTM D412)

≥ 5.0Mpa

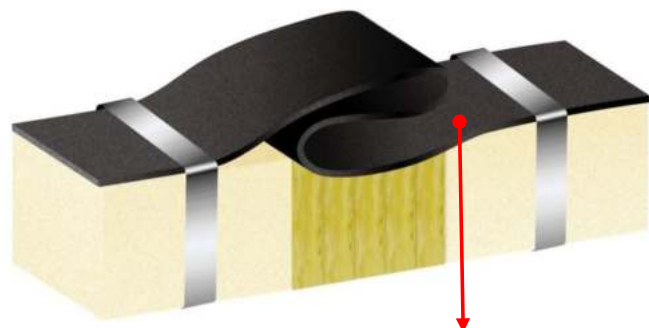
BUTYL RUBBER SHEET 13 has good tensile strength and elongation. Because of its good flexibility, it can be used in various places where high flexibility is required, such as LNG plants, petrochemical plants and so on.

BUTYL RUBBER SHEET 13 has excellent resistance to oil, thermal shock, abrasion, chemicals, and fire. It is usually used for gasket, packing and roofing.

REMARKS

Store and apply between 4°C and 38°C.

No contain asbestos, lead, mercury or mercury compounds.



SHC 720-201

MAIN PURPOSE

- ◇ Vapor barrier for contraction and expansion joint of cold and cryogenic insulation
- ◇ LNG and petrochemical plants

SHC 720-201 is a vapor barrier sheet composed of butyl rubber compound.

COLOR

Black

DENSITY

1.35~1.40 g/cm³

DIMENSION

Thickness: 2.0mm ±5%

Width: width is available on request

Length: 10meter

SOLID CONTENTS

100%

SERVICE TEMPERATURE LIMITS

(Temperature at coated surface)

- 40 ~ 120°C

WATER VAPOR PERMEANCE (ASTM E96, Pro-E)

< 0.1 metric perms

ELONGATION (ASTM D412)

≥ 150%

TENSILE STRENGTH (ASTM D412)

≥ 5.0Mpa

BUTYL RUBBER SHEET 20 has good tensile strength and elongation. Because of its good flexibility, it can be used in various places where high flexibility is required, such as LNG plants, petrochemical plants and so on.

BUTYL RUBBER SHEET 20 has excellent resistance to oil, thermal shock, abrasion, chemicals, and fire. It is usually used for gasket, packing and roofing.

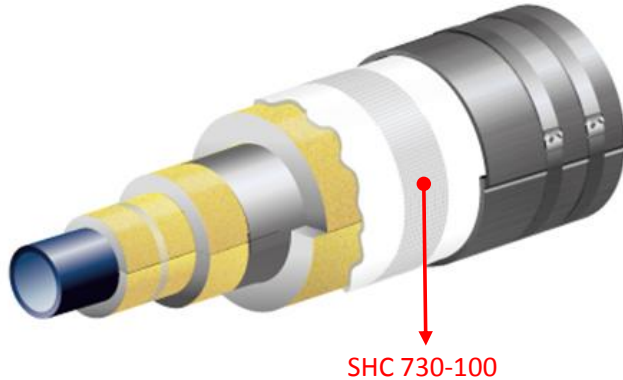
REMARKS

Store and apply between 4°C and 38°C.

No contain asbestos, lead, mercury or mercury compounds.

SHC 730-100

REINFORCING MEMBRANE



MAIN PURPOSE

- ◇ Good elongation, recovery and freedom from stress breakage
- ◇ Less thread movement and distortion
- ◇ Easy wetting into mastic or coating
- ◇ Reinforcement fabric for mastic, coating, and adhesive

SHC 730-100 is a reinforcement fabric composed of synthetic fiber composition.

COLOR

White

COMPOSITION

Polyester with PVA Finish

WEAVE

Leno

MESH (ASTM D3775)

Warp: 9 ± 1 count/in.

Weft: 8 ± 1 count/in.

THREAD CONSTRUCTION

Warp: 18 ends

Weft: 8 picks

AVERAGE WEIGHT (ASTM 3776)

39.8 g/m²

SERVICE TEMPERATURE LIMITS

121°C

DIMENSION

Width: 76 cm

Length: 183 meter

(139m² roll)

REINFORCING MEMBRANE will not detectably affect the flame spread and smoke developed ratings.

REINFORCING MEMBRANE weighs only 12 pounds (5.5kg) per roll and easy to work with.

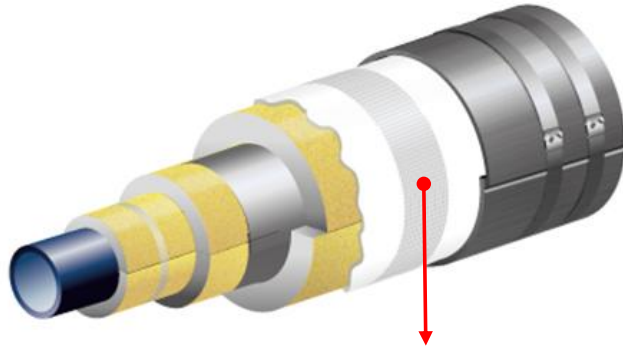
REMARKS

Store and apply between 4°C and 38°C.

No contain asbestos, lead, mercury or mercury compounds.

SHC 740-100

GLASS CLOTH NO.10



SHC 740-100

MAIN PURPOSE

- ◇ Incombustible and excellent heat resistant and flexible
- ◇ Easy wetting into mastic or coating
- ◇ Reinforcement fabric for Mastic, Coating, Sealant and Adhesive

SHC 740-100 is a glass cloth fabric composed of assembled fine inorganic fiber glass yarns.

COLOR

White

COMPOSITION

Glass Cloth with Acryl resin coating

WEAVE

Leno Plain

MESH (ASTM D3887)

Warp: 10 ± 1 count/in.

Weft: 10 ± 1 count/in.

AVERAGE WEIGHT (ASTM D3776)

60 ± 5 g/m²

SERVICE TEMPERATURE LIMITS

500°C

DIMENSION

Thickness: 0.13 ± 0.02mm

Width: 1meter

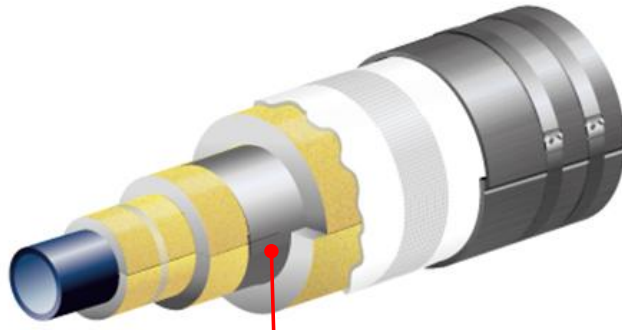
Length: 200meter
(200m² roll)

GLASS CLOTH NO. 10 will not detectably affect the flame spread and smoke developed ratings.

REMARKS

Store and apply between 4°C and 38°C.

No contain asbestos, lead, mercury or mercury compounds.



SHC 750-050

MAIN PURPOSE

- ◇ Secondary vapor barrier
- ◇ Excellent resistance to vapor and UV
- ◇ Tough, flexible, and easy to apply
- ◇ Industrial cold and cryogenic insulation system
- ◇ Commercial building and HVAC industry

SHC 740-100 is a vapor barrier sheet composed of aluminum foil between two layers of polyester film.

COLOR

Bright Aluminum

COMPOSITION

12 μ mPE + 25 μ mAL Foil + 12 μ mPE

DENSITY

1.93 kg/cm³

DIMENSION

Thickness: 50 micron \pm 5%

Width: 1meter

Length: 200meter

(200m² Roll)

SERVICE TEMPERATURE

-70°C ~150°C

WATER VAPOR PERMEANCE (ASTM E96, PRO-E)

<0.001perms

TENSILE STRENGTH (ASTM D882)

119 Mpa (17,300 psi)

YIELD STRENGTH

70 N/cm

TEAR RESISTANCE

400 g/mm

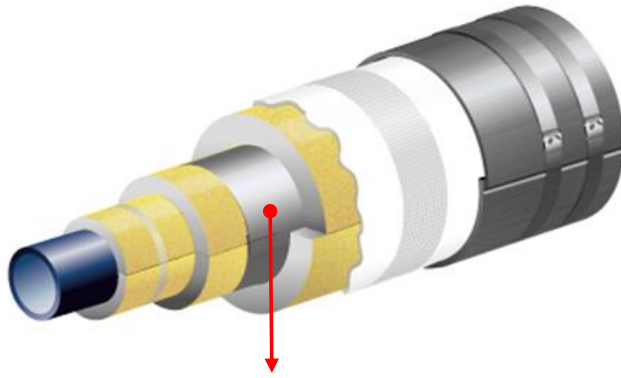
ALUFILM 50 select SHC 107-75 LAP ADHESIVE for sealing the overlap of Alufilm 50 for strong adhesion effect.

REMARKS

Store and apply between 4°C and 38°C.

No contain asbestos, lead, mercury or mercury compounds.

Apply only to clean dry surfaces.



SHC 750-100

MAIN PURPOSE

- ◇ Secondary vapor barrier
- ◇ Excellent resistance to vapor and UV
- ◇ Tough, flexible, and easy to apply
- ◇ Industrial cold and cryogenic insulation system
- ◇ Commercial building and HVAC industry

SHC 750-100 is a vapor barrier sheet composed of aluminum foil between two layers of polyester film.

COLOR

Bright Aluminum

COMPOSITION

25 μ mPE + 50 μ mAL Foil + 25 μ mPE

DENSITY

1.93 kg/cm³

DIMENSION

Thickness: 100 micron \pm 5%

Width: 1meter

Length: 50meter

(50m² Roll)

SERVICE TEMPERATURE

-70°C ~150°C

WATER VAPOR PERMEANCE (ASTM E96, PRO-E)

<0.001perms

TENSILE STRENGTH (ASTM D882)

119 Mpa (17,300 psi)

YIELD STRENGTH

70 N/cm

TEAR RESISTANCE

400 g/mm

ALUFILM 100 select SHC 107-75 LAP ADHESIVE for sealing the overlap of Alufilm 100 for strong adhesion effect.

REMARKS

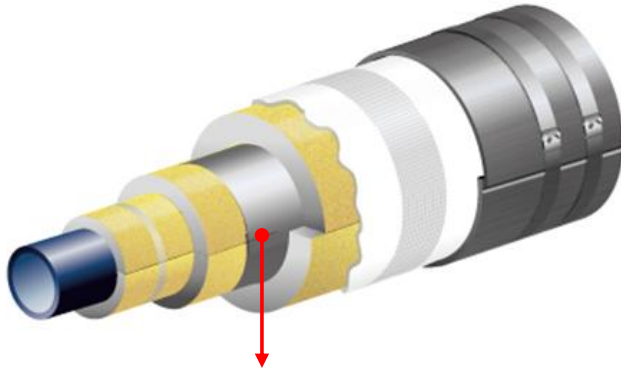
Store and apply between 4°C and 38°C.

No contain asbestos, lead, mercury or mercury compounds.

Apply only to clean dry surfaces.

SHC 760-050

ALUFILM TAPE 50



SHC 760-050

MAIN PURPOSE

- ◇ Self adhesive vapor barrier tape
- ◇ Sealing overlaps and joints of ALUFILM and BUSEAL WRAP products
- ◇ Tough, flexible, and easy to apply
- ◇ Industrial cold and cryogenic insulation system

SHC 760-050 is a self adhesive vapor barrier tape composed of aluminum foil between two layers of polyester film with silicon treated release paper.

COLOR

Bright Aluminum

COMPOSITION

12 μ mPE + 25 μ mAL Foil + 12 μ mPE
35 μ m pressure sensitive adhesive + release paper liner

DENSITY

1.93 kg/cm³

DIMENSION

Thickness: 0.085mm \pm 5%
Width: width is available on request
Length: 50meter

SERVICE TEMPERATURE

-40°C ~120°C

WATER VAPOR PERMEANCE (ASTM E96, PRO-E)

<0.001perms

TENSILE STRENGTH

119 Mpa (17,300 psi)

YIELD STRENGTH

70 N/cm (40 lbs/inch)

TEAR RESISTANCE

400 g/mm

BREAKING STRENGTH (ASTM D3759)

54.8N/10mm

---ADHESIVE LAYER-----

ADHESION STRENGTH (ASTM D 3330)

6.53N/10mm

SHEARING ADHESION TIME (ASTM D 3654)

440min

TENSILE STRENGTH (ASTM D 3759)

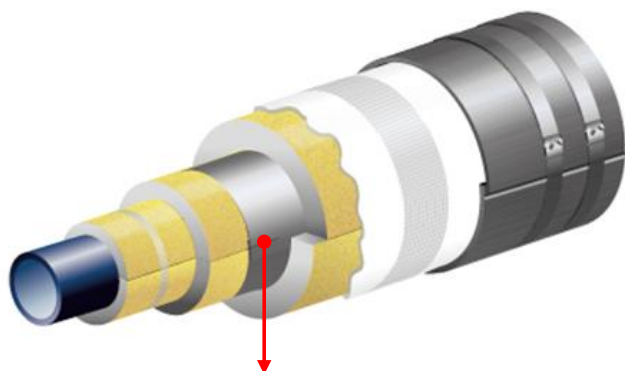
81 N (tape width 25mm)

REMARKS

Store and apply between 4°C and 38°C.
No contain asbestos, lead, mercury or mercury compounds.
Apply only to clean dry surfaces.

SHC 760-100

ALUFILM TAPE 100



SHC 760-100

MAIN PURPOSE

- ◇ Self adhesive vapor barrier tape
- ◇ Sealing overlaps and joints of ALUFILM and BUSEAL WRAP products
- ◇ Tough, flexible, and easy to apply
- ◇ Industrial cold and cryogenic insulation system

SHC 760-100 is a self adhesive vapor barrier tape composed of aluminum foil between two layers of polyester film and silicon treated release paper.

COLOR

Bright Aluminum

COMPOSITION

25 μ mPE + 50 μ mAL Foil + 25 μ mPE
35 μ m pressure sensitive adhesive + release paper liner

DENSITY

1.93 kg/cm³

DIMENSION

Thickness: 0.135mm \pm 5%
Width: width is available on request
Length: 50meter

SERVICE TEMPERATURE

-40°C ~120°C

WATER VAPOR PERMEANCE (ASTM E96, PRO-E)

<0.001perms

TENSILE STRENGTH

119 Mpa (17,300 psi)

YIELD STRENGTH

70 N/cm (40 lbs/inch)

TEAR RESISTANCE (ELMENDORF)

400 g/mm

BREAKING STRENGTH (ASTM D3759)

54.8N/10mm

---ADHESIVE LAYER-----

ADHESION STRENGTH (ASTM D 3330)

6.53N/10mm

SHEARING ADHESION TIME (ASTM D 3654)

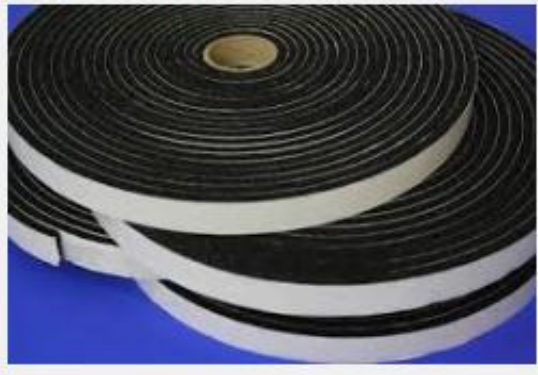
440min

TENSILE STRENGTH (ASTM D 3759)

81 N (tape width 25mm)

REMARKS

Store and apply between 4°C and 38°C.
No contain asbestos, lead, mercury or mercury compounds.
Apply only to clean dry surfaces.



MAIN PURPOSE

- ◇ Non hardening gap sealant
- ◇ Outstanding tack and weathering properties
- ◇ Sealing laps of sheet metal

SHC 850-201 is a butyl based non hardening gap sealant.

COLOR

Dark gray-black

COMPOSITION

Butyl rubber 99% min by weight

DIMENSION

Thickness: 2.0mm±5%

Width: width is available on request

Length: 15meter

SERVICE TEMPERATURE

-50 °C ~ 82°C

DENSITY

1.34 g/cm³ at 25°C

REMARKS

Store and apply between 4°C and 38°C.

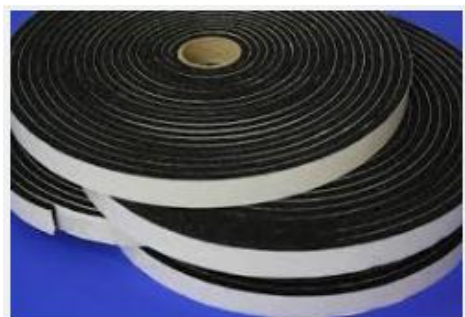
No contain asbestos, lead, mercury or mercury compounds.

SEALANT TAPE 20 is compatible with the substrates for adhesion and chemical reaction, before using.

SEALANT TAPE 20 should apply on the surface such as free of moisture, foreign material, oil and any contaminations.

SEALANT TAPE 20 to size, apply and press down firmly, preferably with roller.

SEALANT TAPE 20 is sure to remove release liner gradually to avoid wrinkling.



MAIN PURPOSE

- ◇ Non hardening gap sealant
- ◇ Outstanding tack and weathering properties
- ◇ Sealing laps of sheet metal

SHC 850-301 is a butyl based non hardening gap sealant.

COLOR

Dark gray-black

COMPOSITION

Butyl rubber 99% min by weight

DIMENSION

Thickness: 3.0mm±5%

Width: width is available on request

Length: 15meter

SERVICE TEMPERATURE

-50 °C ~ 82°C

DENSITY

1.34 g/cm³ at 25°C

REMARKS

Store and apply between 4°C and 38°C.

No contain asbestos, lead, mercury or mercury compounds.

SEALANT TAPE 30 is compatible with the substrates for adhesion and chemical reaction, before using.

SEALANT TAPE 30 should apply on the surface such as free of moisture, foreign material, oil and any contaminations.

SEALANT TAPE 30 to size, apply and press down firmly, preferably with roller.

SEALANT TAPE 30 is sure to remove release liner gradually to avoid wrinkling.

SHC 860-200

FIBER GLASS CLOTH 20



MAIN PURPOSE

- ◇ High strength and excellent dimensional stability in high and low temperatures
- ◇ Excellent resistance to moisture, fire, corrosion, and chemicals
- ◇ Finish treatments for all kinds of thermal insulation

SHC 860-200 is a fiberglass cloth fabricated from high quality continuous fiberglass yarn.

COMPOSITION

Fiberglass yarn

DIMENSION

Thickness: 2.0mm± 5%

Width: width is available on request

Length : 30meter

AVERAGE WEIGHT

2.0mm Thickness - 1,400g/m²

YARN FILAMENT DIAMETER

11 μm

SERVICE TEMPERATURE

Up to 520°C

FIBER GLASS CLOTH 20 is an inorganic material and will not burn or support combustion. It will withstand continuous exposure to temperatures of 520°C.

FIBER GLASS CLOTH 20 resists most acids and alkalis and will not be affected by most bleaches and solvents.

FIBER GLASS CLOTH 20 would not tear, shrink, stretch or bubble while it hides joints, cracks, and holes permanently.

FIBER GLASS CLOTH 20 provides protection of industrial wires, cables, hoses, tube and pipes, and thermal insulations and personnel protection as well.

FIBER GLASS CLOTH 20 contains no asbestos, lead, mercury, or mercury compounds.

SHC 870-200

FIBER GLASS TAPE 20



MAIN PURPOSE

- ◇ High strength and excellent dimensional stability in high and low temperatures
- ◇ Excellent resistance to moisture, fire, corrosion, and chemicals
- ◇ Finish treatments for all kinds of thermal insulation

SHC 870-200 is a fiberglass tape fabricated from high quality continuous fiberglass yarn.

COMPOSITION

Fiberglass yarn with Pressure Sensitive Self Adhesive

DIMENSION

Thickness: 2.0mm± 5%

Width: width is available on request

Length : 30meter

AVERAGE WEIGHT

2.0mm Thickness - 1,400g/m²

YARN FILAMENT DIAMETER

11 μm

SERVICE TEMPERATURE

Up to 520°C

FIBER GLASS TAPE 20 is an inorganic material and will not burn or support combustion. It will withstand continuous exposure to temperatures of 520°C.

FIBER GLASS TAPE 20 resists most acids and alkalis and will not be affected by most bleaches and solvents.

FIBER GLASS TAPE 20 would not tear, shrink, stretch or bubble while it hides joints, cracks, and holes permanently.

FIBER GLASS TAPE 20 provides protection of industrial wires, cables, hoses, tube and pipes, and thermal insulations and personnel protection as well.

FIBER GLASS TAPE 20 contains no asbestos, lead, mercury, or mercury compounds.